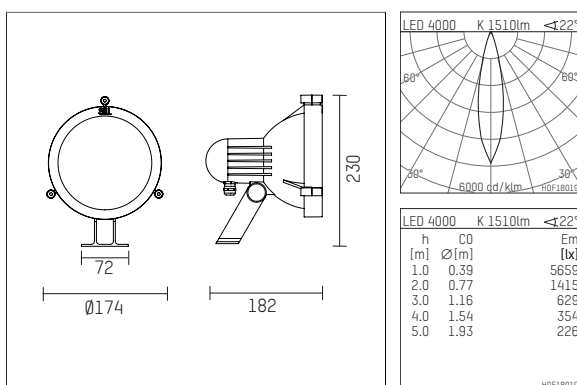




02S2015NWDE916 | silver

02S
projector
LED | 15 W 4000 K



- projector 02S
- for wall-, ground and ceiling mounting
- with mounting bracket, pivots in two axes
- with LED 2370 lm
- colour temperature: 4000 K
- colour rendering index: CRI 80
- L90 / B10 (50.000h)
- SDCM < 3
- net luminous flux: 1510 lm
- total load: 15 W
- luminous efficacy: 100,7 lm/W
- rotationsymmetrical light distribution, medium
- beam angle: 25 °
- with built in LED power unit, electronic (DALI), 220-240 V, 0/50/60 Hz
- power supply: 4-pole supply cord 1,5 mm², Length: 500 mm
- with circular connector RST16 (Wieland) for cables with diameter 7,1-13mm and cross section 0,25-2,5mm
- connection outside of the luminaire housing for easier installation
- housing of die cast aluminium
- safety glass, clear
- length: 180 mm, width: 174 mm, height: 230 mm
- pivotable -80°/+40°
- windage area: 0,06 m²
- weight: 1,9 kg
- protection rating: IP65
- 5 years warranty
- designed and manufactured in Germany
- maximum ambient temperature: 50 ° C
- impact resistance class: IK08
- certificates: manufactured according to DIN VDE 0711 / EN 60598, CE
- colour: silver (RAL9006)
- 02S2015NWDE916

- Overview of accessories on the following page / s

02S2015NWDE916

accessory**Optional accessories**

description accessory general	dimensions in mm	item number	pic.-No.
Screen 45° length 165mm for projector 02S and 14S		814S04000916	01
connection tube length 71mm for projector 02S and 14S		814S05000916	02

