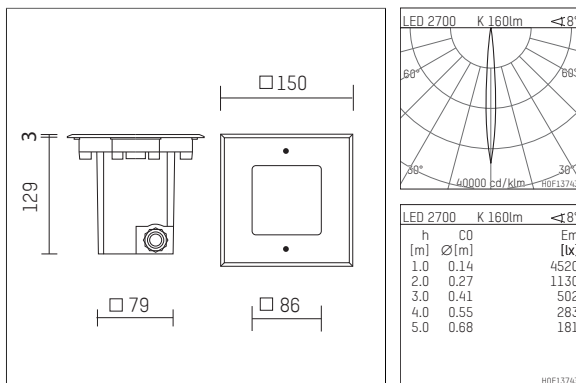




071 250 02 902 | stainless steel

in.ground 50 | square shaped design
inground luminaire
LED COB | 11 W 2700 K



- inground luminaire in.ground 50 square shaped design
- with recessing box of polyamid, fibreglass reinforced
- with LED COB 720 lm
- colour temperature: 2700 K
- colour rendering index: CRI >90
- L90 / B10 (50.000h)
- SDCM < 2
- net luminous flux: 160 lm
- total load: 11 W
- luminous efficacy: 14,6 lm/W
- rotationsymmetrical light distribution, narrow spot
- with built in LED power unit, electronic, 120/230/277V, 50/60Hz
- power supply: supply cord, H07RN-F 3x1,5 mm², length: 500 mm
- housing of cast aluminium
- safety glass, clear
- with stainless steel cover frame
- antiglare cone of aluminium
- length: 150 mm, width: 150 mm
- recessing depth: 129 mm
- load capacity 1000 kg or 3000 kg with separate installation housing of steel
- weight: 2,68 kg
- protection rating: IP68 1m / 1h
- protection class I
- 5 years Hoffmeister warranty
- Made in Germany
- maximum ambient temperature: 30 ° C
- impact resistance class: IK10
- certificates: CE, manufactured according to DIN VDE 0711 / EN 60598
- colour: stainless steel
- 071 250 02 902

- Overview of accessories on the following page / s

071 250 02 902
accessory

Optional accessories

description accessory general	dimensions in mm	item number	pic.-No.
connection sleeve IP68 for ground recessed luminaire	ØxL: 26,5 x 116	071 212 00 000	01
moulded sleeve for connecting to an underground cable	LxWxH: 150 x 75 x 50	071 213 00 000	02
in-ground housing for ground recessed luminaire in.ground 50, up to 3t load capacity	LxWxH: 330 x 240 x 167,5	071 209 00 000	03

