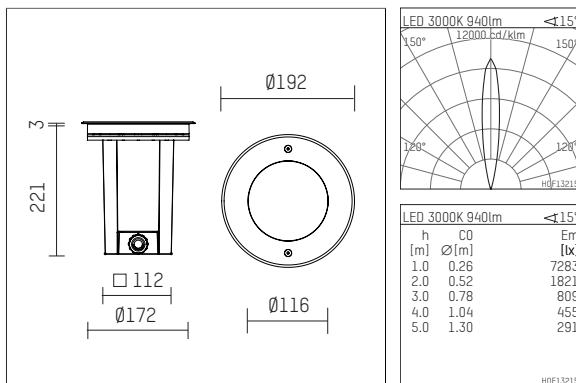




071 313 03 902 | stainless steel

in.ground 100 | round shaped design
inground luminaire
LED | 14 W 3000 K



- inground luminaire in.ground 100 round shaped design
- directional spotlight
- with recessing box of polyamid, fibreglass reinforced
- with LED 1200 lm
- colour temperature: 3000 K
- colour rendering index: CRI >90
- L90 / B50 (50.000h)
- SDCM < 2
- net luminous flux: 940 lm
- total load: 14 W
- luminous efficacy: 67,1 lm/W
- rotationsymmetrical light distribution, spot
- beam angle: 15 °
- with built in LED power unit, electronic, 220-240 V, 50/60 Hz
- power supply: supply cord, H07RN-F 3x1,5 mm², length: 500 mm
- housing of cast aluminium
- safety glass, clear
- with stainless steel cover frame
- diameter: 192 mm
- recessing depth: 221 mm
- load capacity 1000 kg or 3000 kg with separate installation housing of steel
- rotatable 360°, 0° - 30° tiltable
- weight: 3,7 kg
- protection rating: IP68 1m / 1h
- protection class I
- 5 years Hoffmeister warranty
- Made in Germany
- maximum ambient temperature: 40 ° C
- impact resistance class: IK10
- colour: stainless steel
- 071 313 03 902

- Overview of accessories on the following page / s

071 313 03 902
accessory**Optional accessories**

| description accessory general | dimensions in mm | item number | pic.-No. |
|--|------------------------|----------------|----------|
| connection sleeve IP68 for ground recessed luminaire | ØxL: 26,5 x 116 | 071 212 00 000 | 01 |
| moulded sleeve for connecting to an underground cable | LxWxH: 150 x 75 x 50 | 071 213 00 000 | 02 |
| in-ground housing for ground recessed luminaire in.ground 100, up to 3t load capacity | LxWxH: 328 x 246 x 249 | 071 400 00 000 | 03 |

