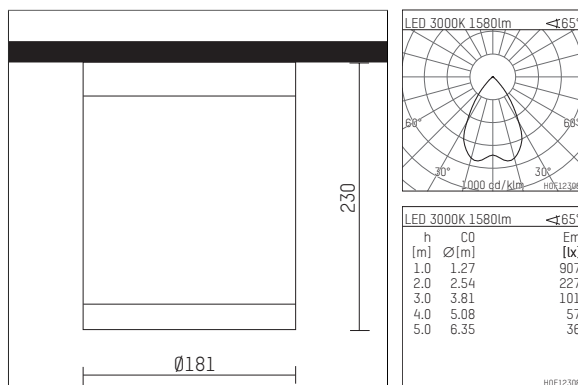




## 117 460 03 910 | white

DL 150 | IP65  
ceiling mounted luminaire  
LED | 28 W 3000 K



- ceiling mounted luminaire DL 150 IP65
- visible luminaire cover made of clear safety glass, 8 mm
- with LED 2400 lm
- colour temperature: 3000 K
- colour rendering index: CRI >90
- L90 / B10 (50.000h)
- SDCM < 2
- net luminous flux: 1580 lm
- total load: 28 W
- luminous efficacy: 56,4 lm/W
- rotationsymmetrical light distribution, wide flood
- reflector of aluminium, black
- beam angle: 65 °
- UGR: 18
- with built in LED power unit, electronic, 220-240 V, 0/50/60 Hz
- power supply: connecting terminal 3x2,5 mm<sup>2</sup>
- 2 cable inputs, suitable for through-wiring 2 x 3 x 1,5 mm<sup>2</sup>
- housing of die cast aluminium
- safety glass, clear
- ceiling mounting of die cast aluminium
- height: 230 mm
- diameter: 181 mm
- weight: 3,4 kg
- protection rating: IP65
- protection class I
- 5 years Hoffmeister warranty
- Made in Germany
- certificates: manufactured according to DIN VDE 0711 / EN 60598, CE
- colour: white
- 117 460 03 910

- Overview of accessories on the following page / s

117 460 03 910  
**accessory**

## Optional accessories

description accessory general	dimensions in mm	item number	pic.-No.
ring for variable semi-recessing for surface mounted luminaires DL 150	Ø: 228	079 040 00 910	01

