



14S3030NWCE916 | silver

14S
projector
LED | 30 W 4000 K

LED

DMX

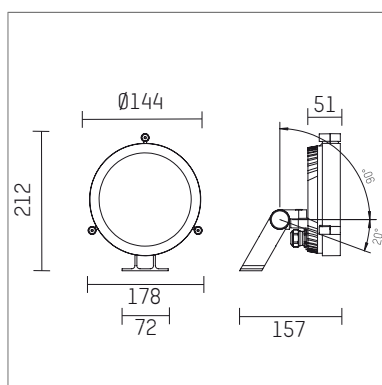
IP65

III

IK08

CE

5Y



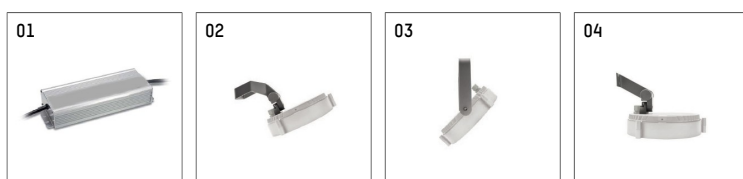
- projector 14S
- for wall-, ground and ceiling mounting
- power supply and mounting bracket must be ordered separately
- with LED
- colour temperature: 4000 K
- colour rendering index: CRI >75
- L80 / B10 (50.000h)
- SDCM < 3
- total load: 30 W
- rotationsymmetrical light distribution, flood
- beam angle: 40 °
- for external power supply, integrated control unit (DMX)
- 24V DC
- control ON/OFF, DMX
- secondary connection:
- connecting terminal in cutting/terminal technology (type: for H05 RN-F 4 x 0,75-1,5 mm², DMX cross section range of the cores 0,34-0,75 mm²)
- housing of die cast aluminium
- safety glass, clear
- length: 157 mm, width: 178 mm, height: 212 mm
- windage area: 0,03 m²
- weight: 1,66 kg
- protection rating: IP65
- protection class III
- 5 years warranty
- impact resistance class: IK08
- certificates: manufactured according to DIN VDE 0711 / EN 60598, CE
- colour: silver (RAL9006)
- 14S3030NWCE916

- Overview of accessories on the following page / s

14S3030NWCE916

accessory**Required accessories**

description accessory general	dimensions in mm	item number	pic.-No.
LED power unit IP67, 24V / 40W for projector 14S for outdoor usage	LxWxH: 171 x 62 x 37	814S03000	01
Edged bracket for projector 14S		814S0010B916	02
Pivoting bracket for projector 14S		814S0010H916	03
Standard bracket for projector 14S		814S00100916	04

**Optional accessories**

description accessory general	dimensions in mm	item number	pic.-No.
Gimbal mounting for projector 14S		814S0010K916	01

