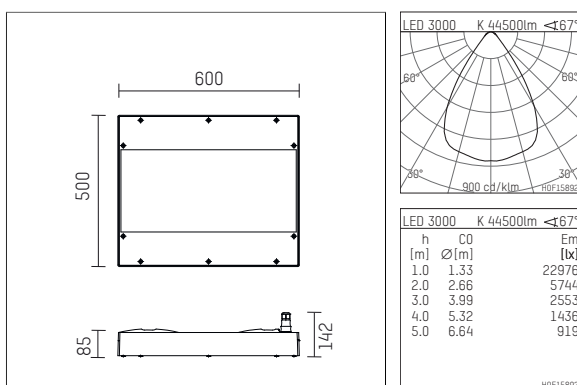




1764350WW70D | silver

176

Industrial luminaire
LED | 350 W 3000 K



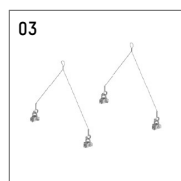
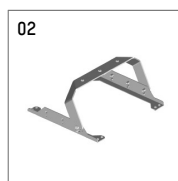
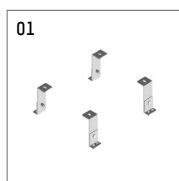
- Industrial luminaire 176
- for ceiling mounting and pendant installation
- mounting devices must be ordered separately
- with LED 48280 lm
- colour temperature: 3000 K
- colour rendering index: CRI >70
- L80 / B10 (50.000h)
- SDCM < 3
- net luminous flux: 44500 lm
- total load: 350 W
- luminous efficacy: 127,1 lm/W
- symmetrical light distribution, wide flood
- beam angle: 65 °
- UGR: 23
- with two integrated power units, electronic (DALI), 220-240 V, 0/50/60 Hz
- dimmable 10-100%
- Number of luminaires per fuse (C16): 4
- power supply: plug connector 5x2,5 mm²
- Optional loop-in loop-out cabling
- housing of die cast aluminium
- safety glass, clear
- with PC cover available on request
- length: 600 mm, width: 500 mm, height: 142 mm
- windage area: 0,30 m²
- weight: 19,6 kg
- protection rating: IP65 (IP66 available on request)
- protection class I
- 5 years warranty
- Designed and manufactured in Germany
- minimum ambient temperature: -40 ° C
- maximum ambient temperature: 35 ° C
- impact resistance class: IK06
- certificates: manufactured according to DIN VDE 0711 / EN 60598, CE, proof against ball impact
- colour: silver (RAL9006)
- 1764350WW70D

- Overview of accessories on the following page / s

1764350WW70D

accessory**Required accessories**

| description accessory general | dimensions in mm | item number | pic.-No. |
|---|------------------|-------------|----------|
| Ceiling fixation for series 176 | | 817600200 | 01 |
| Pivoting bracket, for wall and ceiling mounting Ball-proof for series 176 | | 817600300 | 02 |
| Steelwire suspension, 2xY-FIT, 2x4m for series 176 | | 817600100 | 03 |

**Optional accessories**

| description accessory general | dimensions in mm | item number | pic.-No. |
|--|------------------|-------------|----------|
| plug connection, RST20i5 for double connection 5-pole, 20 A cable diameter 10-14mm with cross section max. 1,5 mm ² | | 817600400 | 01 |

