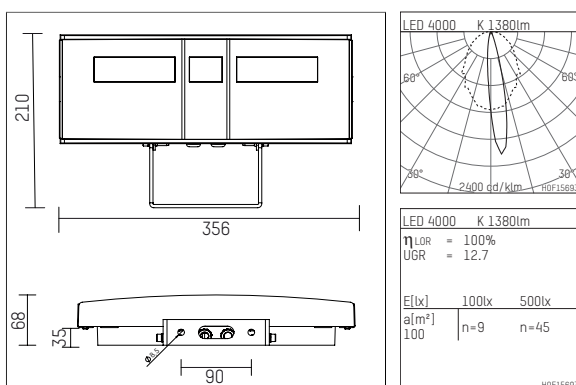




## 1900022NW726D | anthracite

190  
 Facade lighter  
 LED | 21 W 4000 K



- Facade lighter 190
- with mounting bracket
- for wall mounting
- with LED 1860 lm
- colour temperature: 4000 K
- colour rendering index: CRI >75
- L80 / B10 (50.000h)
- SDCM < 3
- net luminous flux: 1380 lm
- total load: 21 W
- luminous efficacy: 65,7 lm/W
- reveal optic
- with built in LED power unit, electronic (DALI), 220-240 V, 0/50/60 Hz
- power supply: connecting terminal 5x2,5 mm<sup>2</sup>
- corrosion resistant aluminium housing AlSi12
- safety glass, clear
- length: 356 mm, width: 210 mm, height: 68 mm
- pivotable -90°/+40°
- windage area: 0,03 m<sup>2</sup>
- weight: 2,166 kg
- protection rating: IP65
- protection class I
- 5 years warranty
- designed and manufactured in Germany
- maximum ambient temperature: 40 ° C
- certificates: manufactured according to DIN VDE 0711 / EN 60598, CE
- colour: anthracite
- 1900022NW726D

---