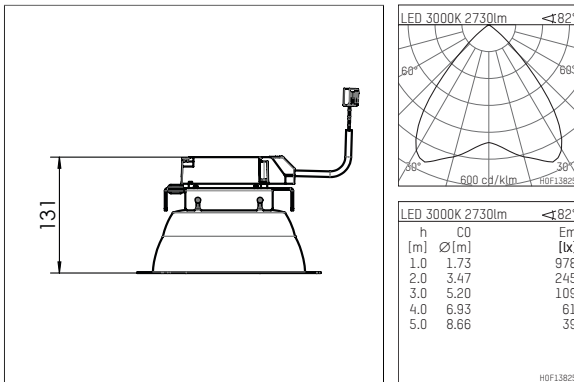
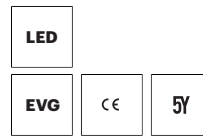




019 862 03 000

DL 200
LED Upgrade Kit
LED Fortimo Flex | 30 W 3000 K



- LED Upgrade Kit DL 200
- for ceiling mounted luminaire DL200
- with LED Fortimo Flex 3000 lm
- colour temperature: 3000 K
- colour rendering index: CRI 80
- L70 / B20 (50.000h)
- SDCM < 3
- net luminous flux: 2730 lm
- total load: 30 W
- luminous efficacy: 91,0 lm/W
- symmetrical light distribution, wide flood
- reflector of aluminium, mirror finish anodised
- UGR: 20
- attached LED power unit, electronic, 220-240 V, 0/50/60 Hz
- the luminaire can subsequently be inset into the ceiling mounting ring
- weight: 1,08 kg
- 5 years Hoffmeister warranty
- Made in Germany
- certificates: manufactured according to DIN VDE 0711 / EN 60598, CE
- 019 862 03 000
