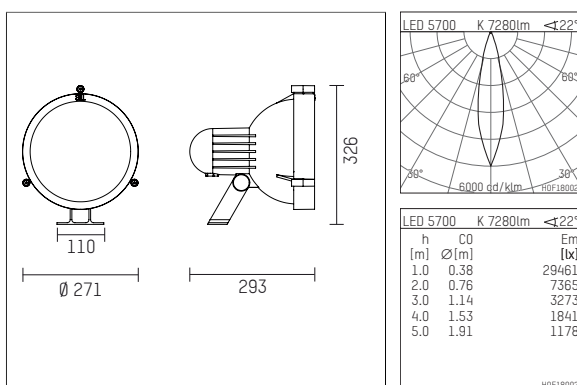


## 02M20701KWDE916 | silver

02M  
projector  
LED | 70 W 5700 K



- projector 02M
- for wall-, ground and ceiling mounting
- with mounting bracket, pivots in two axes
- with LED 11110 lm
- colour temperature: 5700 K
- colour rendering index: CRI 80
- L90 / B10 (50.000h)
- SDCM < 3
- net luminous flux: 7280 lm
- total load: 70 W
- luminous efficacy: 104,0 lm/W
- rotationsymmetrical light distribution, medium
- beam angle: 25 °
- with built in LED power unit, electronic (DALI), 220-240 V, 0/50/60 Hz
- power supply: 5-pole supply cord 1 mm<sup>2</sup>, Length: 500 mm
- With circular connector RST16 (Wieland) for cables with diameter 7,1-13mm and cross section 0,25-2,5mm.
- Connection outside of the luminaire housing for easier installation
- housing of die cast aluminium
- safety glass, clear
- length: 293 mm, width: 271 mm, height: 326 mm
- pivotable -80°/+40°
- windage area: 0,06 m<sup>2</sup>
- weight: 5,9 kg
- protection rating: IP65
- protection class I
- 5 years warranty
- designed and manufactured in Germany
- maximum ambient temperature: 35 ° C
- impact resistance class: IK08
- certificates: manufactured according to DIN VDE 0711 / EN 60598, CE
- colour: silver (RAL9006)
- 02M20701KWDE916

- Overview of accessories on the following page / s

02M20701KWDE916

**accessory****Optional accessories**

description accessory general	dimensions in mm	item number	pic.-No.
tube screen length 120mm for projector 02M and 14M		814M05000916	01
Screen 45° length 290mm for projector 02M and 14M		814M04000916	02
supply cable, with system plug connector (female RST16i5) 5x1.0 2000mm		802M0011721	03
supply cable, with system plug connector (female RST16i5) 5x1.0 4000mm		802M0012721	03
supply cable, with system plug connector (female RST16i5) 5x1.0 6000mm		802M0013721	03
supply cable, with system plug connector (female RST16i5) 5x1.0 8000mm		802M0014721	03
supply cable, with system plug connector (female RST16i5) 5x1.0 10000mm		802M0015721	03
supply cable, with system plug connector (female RST16i5) 5x1.0 12000mm		802M0016721	03

