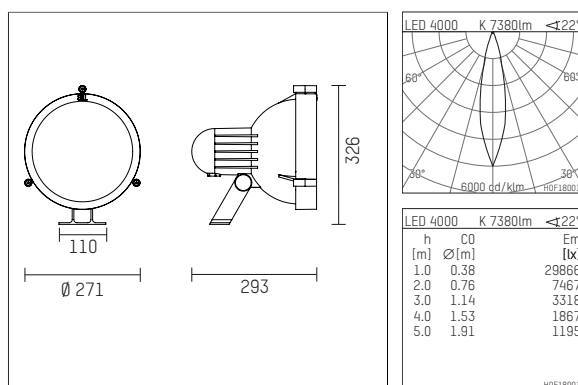




02M20701NWDE916 | silver

02M
projector
LED | 70 W 4000 K



- projector 02M
- for wall-, ground and ceiling mounting
- with mounting bracket, pivots in two axes
- with LED 11260 lm
- colour temperature: 4000 K
- colour rendering index: CRI 80
- L90 / B10 (50.000h)
- SDCM < 3
- net luminous flux: 7380 lm
- total load: 70 W
- luminous efficacy: 105,4 lm/W
- rotationsymmetrical light distribution, medium
- beam angle: 25 °
- with built in LED power unit, electronic (DALI), 220-240 V, 0/50/60 Hz
- power supply: 5-pole supply cord 1 mm², Length: 500 mm
- With circular connector RST16 (Wieland) for cables with diameter 7,1-13mm and cross section 0,25-2,5mm.
- Connection outside of the luminaire housing for easier installation
- housing of die cast aluminium
- safety glass, clear
- length: 293 mm, width: 271 mm, height: 326 mm
- pivotable -80°/+40°
- windage area: 0,06 m²
- weight: 5,9 kg
- protection rating: IP65
- protection class I
- 5 years warranty
- designed and manufactured in Germany
- maximum ambient temperature: 35 ° C
- impact resistance class: IK08
- certificates: manufactured according to DIN VDE 0711 / EN 60598, CE
- colour: silver (RAL9006)
- 02M20701NWDE916

- Overview of accessories on the following page / s

02M20701NWDE916

accessory**Optional accessories**

| description accessory general | dimensions in mm | item number | pic.-No. |
|--|------------------|--------------|----------|
| tube screen length 120mm for projector 02M and 14M | | 814M05000916 | 01 |
| Screen 45° length 290mm for projector 02M and 14M | | 814M04000916 | 02 |
| supply cable, with system plug connector (female RST16i5) 5x1.0 2000mm | | 802M0011721 | 03 |
| supply cable, with system plug connector (female RST16i5) 5x1.0 4000mm | | 802M0012721 | 03 |
| supply cable, with system plug connector (female RST16i5) 5x1.0 6000mm | | 802M0013721 | 03 |
| supply cable, with system plug connector (female RST16i5) 5x1.0 8000mm | | 802M0014721 | 03 |
| supply cable, with system plug connector (female RST16i5) 5x1.0 10000mm | | 802M0015721 | 03 |
| supply cable, with system plug connector (female RST16i5) 5x1.0 12000mm | | 802M0016721 | 03 |

