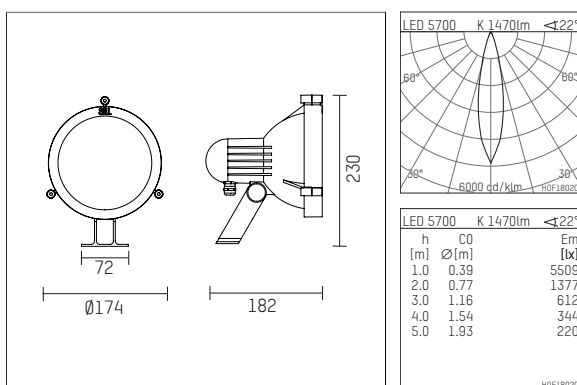


02S2015KWDE916 | silver

02S
projector
LED | 15 W 5700 K



- projector 02S
- for wall-, ground and ceiling mounting
- with mounting bracket, pivots in two axes
- with LED 2300 lm
- colour temperature: 5700 K
- colour rendering index: CRI 80
- L90 / B10 (50.000h)
- SDCM < 3
- net luminous flux: 1470 lm
- total load: 15 W
- luminous efficacy: 98,0 lm/W
- rotationsymmetrical light distribution, medium
- beam angle: 25 °
- with built in LED power unit, electronic (DALI), 220-240 V, 0/50/60 Hz
- power supply: 4-pole supply cord 1,5 mm², Length: 500 mm
- With circular connector RST16 (Wieland) for cables with diameter 7,1-13mm and cross section 0,25-2,5mm.
- Connection outside of the luminaire housing for easier installation
- housing of die cast aluminium
- safety glass, clear
- length: 180 mm, width: 174 mm, height: 230 mm
- pivotable -80°/+40°
- windage area: 0,06 m²
- weight: 2,1 kg
- protection rating: IP65
- protection class II
- 5 years warranty
- designed and manufactured in Germany
- maximum ambient temperature: 40 ° C
- impact resistance class: IK08
- certificates: manufactured according to DIN VDE 0711 / EN 60598, CE
- colour: silver (RAL9006)
- 02S2015KWDE916

- Overview of accessories on the following page / s

02S2015KWDE916

accessory**Optional accessories**

| description accessory general | dimensions in mm | item number | pic.-No. |
|--|------------------|--------------|----------|
| Screen 45° length 165mm for projector 02S and 14S | | 814S04000916 | 01 |
| tube screen length 71mm for projector 02S and 14S | | 814S05000916 | 02 |
| supply cable, with system plug connector (female RST16i5) 4x1,5 2000mm | | 802M0021721 | 03 |
| supply cable, with system plug connector (female RST16i5) 4x1,5 4000mm | | 802M0022721 | 03 |
| supply cable, with system plug connector (female RST16i5) 4x1,5 6000mm | | 802M0023721 | 03 |
| supply cable, with system plug connector (female RST16i5) 4x1,5 8000mm | | 802M0024721 | 03 |
| supply cable, with system plug connector (female RST16i5) 4x1,5 10000mm | | 802M0025721 | 03 |
| supply cable, with system plug connector (female RST16i5) 4x1,5 12000mm | | 802M0026721 | 03 |

