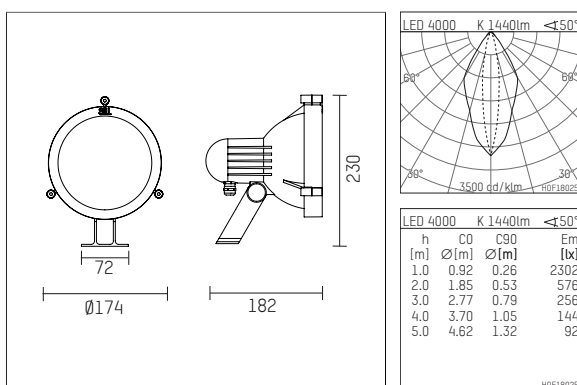




## 02S5015NWDE916 | silver

02S  
projector  
LED | 15 W 4000 K



- projector 02S
- for wall-, ground and ceiling mounting
- with mounting bracket, pivots in two axes
- with LED 2370 lm
- colour temperature: 4000 K
- colour rendering index: CRI 80
- L90 / B10 (50.000h)
- SDCM < 3
- net luminous flux: 1440 lm
- total load: 15 W
- luminous efficacy: 96,0 lm/W
- oval flood horizontal
- $15^\circ \times 50^\circ$
- with built in LED power unit, electronic (DALI), 220-240 V, 0/50/60 Hz
- power supply: 4-pole supply cord 1,5 mm<sup>2</sup>, Length: 500 mm
- With circular connector RST16 (Wieland) for cables with diameter 7,1-13mm and cross section 0,25-2,5mm.
- Connection outside of the luminaire housing for easier installation
- housing of die cast aluminium
- safety glass, clear
- length: 180 mm, width: 174 mm, height: 230 mm
- pivotable  $-80^\circ/+40^\circ$
- windage area: 0,06 m<sup>2</sup>
- weight: 2,1 kg
- protection rating: IP65
- protection class II
- 5 years warranty
- designed and manufactured in Germany
- maximum ambient temperature: 40 ° C
- impact resistance class: IK08
- certificates: manufactured according to DIN VDE 0711 / EN 60598, CE
- colour: silver (RAL9006)
- 02S5015NWDE916

- Overview of accessories on the following page / s

02S5015NWDE916

**accessory****Optional accessories**

| description accessory general  | dimensions in mm | item number  | pic.-No. |
|--|------------------|--------------|----------|
| Screen 45°<br>length 165mm<br>for projector 02S and 14S                    |                  | 814S04000916 | 01       |
| tube screen<br>length 71mm<br>for projector 02S and 14S                    |                  | 814S05000916 | 02       |
| supply cable, with system plug connector (female RST16i5)<br>4x1,5 2000mm  |                  | 802M0021721  | 03       |
| supply cable, with system plug connector (female RST16i5)<br>4x1,5 4000mm  |                  | 802M0022721  | 03       |
| supply cable, with system plug connector (female RST16i5)<br>4x1,5 6000mm  |                  | 802M0023721  | 03       |
| supply cable, with system plug connector (female RST16i5)<br>4x1,5 8000mm  |                  | 802M0024721  | 03       |
| supply cable, with system plug connector (female RST16i5)<br>4x1,5 10000mm |                  | 802M0025721  | 03       |
| supply cable, with system plug connector (female RST16i5)<br>4x1,5 12000mm |                  | 802M0026721  | 03       |

