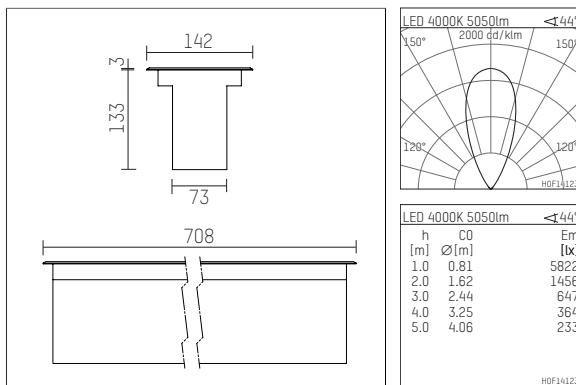




071 655 04 902 | stainless steel

hi.vertical 2.0
inground luminaire
LED | 57 W 4000 K



- inground luminaire hi.vertical 2.0
- for mounting into separate in-ground housing
- with LED 6300 lm
- colour temperature: 4000 K
- colour rendering index: CRI >80
- L80 / B10 (50.000h)
- SDCM < 2
- net luminous flux: 5050 lm
- total load: 57 W
- luminous efficacy: 88,6 lm/W
- symmetrical light distribution, flood
- beam angle: 45 °
- with built in LED power unit, electronic, 220-240 V, 0/50/60 Hz
- power supply: supply cord, H07RN-F 3x1,5 mm², length: 1000 mm
- housing of aluminium and die cast aluminium
- with stainless steel cover frame
- length: 708 mm, width: 142 mm
- recessing depth: 133 mm
- load capacity 1000 kg or 3000 kg with separate installation housing or housing for concrete
- adjustable optics ± 15°, adjustable from outside in operation
- weight: 8,5 kg
- protection rating: IP68 1m / 0,5h
- protection class I
- 5 years Hoffmeister warranty
- Made in Germany
- maximum ambient temperature: 35 ° C
- impact resistance class: IK10
- certificates: CE, manufactured according to DIN VDE 0711 / EN 60598
- colour: stainless steel
- 071 655 04 902

- Overview of accessories on the following page / s

071 655 04 902
accessory

Optional accessories

| description accessory general | dimensions in mm | item number | pic.-No. |
|---|------------------------|----------------|----------|
| moulded sleeve for connecting to an underground cable | LxWxH: 150 x 75 x 50 | 071 213 00 000 | 01 |
| connection sleeve IP68 for ground recessed luminaire | ØxL: 26,5 x 116 | 071 212 00 000 | 02 |
| housing for concrete cast, made of stainless steel, up to 3t load capacity for ground recessed luminaire hi.vertical 2.0 | LxWxH: 750 x 116 x 184 | 071 692 00 000 | 03 |
| in-ground housing for ground recessed luminaire hi.vertical 2.0 - up to 3t load capacity | LxWxH: 754 x 174 x 173 | 071 697 00 000 | 04 |

