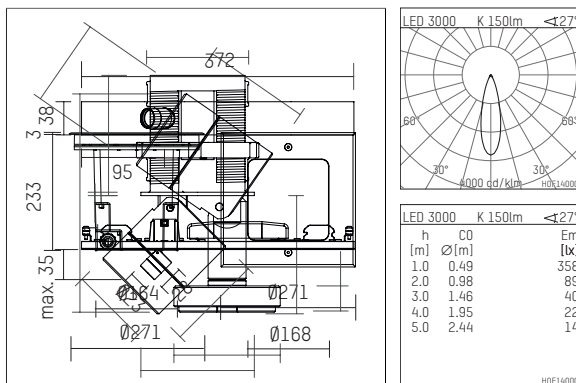




107 863 03 721 D | black anodised

ak.tina | with one point of light
spotlight module
LED | 5 W 3000 K



- spotlight module ak.tina with one point of light
- for form h.44 profiles
- with LED 210 lm
- colour temperature: 3000 K
- colour rendering index: CRI >90
- L90 / B10 (50.000h)
- SDCM < 2
- net luminous flux: 150 lm
- total load: 5 W
- luminous efficacy: 30,0 lm/W
- rotationsymmetrical light distribution, medium
- build in LED power unit, electronic (DALI), 220-240 V, 0/50/60 Hz
- dimmable
- dimming range: 100-1 %
- housing of aluminium
- length: 372 mm, width: 38 mm, height: 35 mm
- rotatable 360°, 90° tiltable
- weight: 0,28 kg
- protection rating: IP20
- protection class I
- 5 years Hoffmeister warranty
- Made in Germany
- maximum ambient temperature: 35 ° C
- certificates: manufactured according to DIN VDE 0711 / EN 60598, CE
- colour: black anodised
- 107 863 03 721 D

- Overview of accessories on the following page / s

107 863 03 721 D
accessory

Optional accessories

| description accessory general | dimensions in mm | item number | pic.-No. |
|---|------------------|----------------|----------|
| antiglare flaps for ak.tina | | 120 992 00 721 | 01 |
| tube screen for ak.tina | | 120 990 00 721 | 02 |
| visor for ak.tina | | 120 991 00 721 | 03 |
| connection ring, with prismatic glass for ak.tina | | 120 996 00 721 | 04 |
| connection ring, with soft.shape lense for ak.tina | | 120 994 00 721 | 04 |
| connection ring, with sculpture lens for ak.tina | | 120 995 00 721 | 04 |
| connection ring, with honeycomb louver for ak.tina | | 120 993 00 721 | 05 |
| connection ring, with wide-flood lense for ak.tina | | 120 997 00 721 | 04 |

