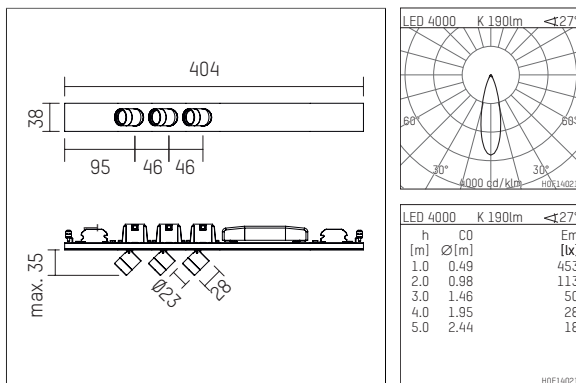




## 107 883 04 907 | silver anodised

ak.tina | with three points of light  
spotlight module  
LED | 3 W 4000 K



- spotlight module ak.tina with three points of light
- for form h.44 profiles
- Performance data per point of light
- with LED 780 lm
- colour temperature: 4000 K
- colour rendering index: CRI >80
- L90 / B10 (50.000h)
- SDCM < 2
- net luminous flux: 190 lm
- total load: 3 W
- luminous efficacy: 63,3 lm/W
- rotationsymmetrical light distribution, medium
- with built in LED power unit, electronic, 220-240 V, 0/50/60 Hz
- housing of aluminium
- length: 404 mm, width: 38 mm, height: 35 mm
- rotatable 360°, 90° tiltable
- weight: 0 kg
- protection rating: IP20
- protection class I
- 5 years Hoffmeister warranty
- Made in Germany
- maximum ambient temperature: 35 ° C
- certificates: manufactured according to DIN VDE 0711 / EN 60598, CE
- colour: silver anodised
- 107 883 04 907

- Overview of accessories on the following page / s

107 883 04 907  
**accessory**

### Optional accessories

| description accessory general                         | dimensions in mm | item number    | pic.-No. |
|---|------------------|----------------|----------|
| antiglare flaps<br>for ak.tina                        |                  | 120 992 00 721 | 01       |
| tube screen<br>for ak.tina                            |                  | 120 990 00 907 | 02       |
| visor<br>for ak.tina                                  |                  | 120 991 00 907 | 03       |
| connection ring, with prismatic glass<br>for ak.tina  |                  | 120 996 00 907 | 04       |
| connection ring, with soft.shape lense<br>for ak.tina |                  | 120 994 00 907 | 04       |
| connection ring, with sculpture lense<br>for ak.tina  |                  | 120 995 00 907 | 04       |
| connection ring, with honeycomb louver<br>for ak.tina |                  | 120 993 00 907 | 04       |
| connection ring, with wide-flood lense<br>for ak.tina |                  | 120 997 00 907 | 04       |

