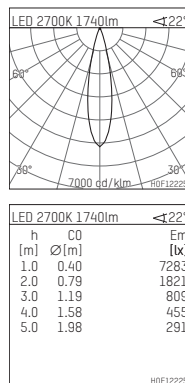
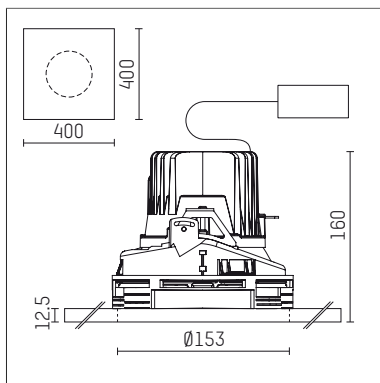




108 103 02 910 P | white

complx.150 | insider
ceiling recessed luminaire
LED | 28 W 2700 K



- ceiling recessed luminaire complx.150 insider
- with plasterboard panel and integrated installation frame
- with LED 2100 lm
- colour temperature: 2700 K
- colour rendering index: CRI >90
- L90 / B10 (50.000h)
- SDCM < 2
- net luminous flux: 1740 lm
- total load: 28 W
- luminous efficacy: 62,1 lm/W
- rotationsymmetrical light distribution, medium
- safety cable for reflector module
- darklight reflector of aluminium, mirror finish anodised
- cut of angle: 30 °
- beam angle: 25 °
- UGR: -2
- with external LED power unit, electronic, 220-240 V, 0/50/60 Hz
- power supply: supply cord with plug connection 2x5x2,5 mm², length: 360 mm
- housing of die cast aluminium
- safety glass, clear
- recessing ring of die cast aluminium
- length: 400 mm, width: 400 mm, height: 155 mm
- diameter: 153 mm
- recessing depth: 160 mm, ceiling thickness: 12.5 mm
- rotatable 360°, fixable setting
- weight: 0 kg
- protection rating: IP20
- protection class I
- 5 years Hoffmeister warranty
- Made in Germany
- certificates: manufactured according to DIN VDE 0711 / EN 60598, CE
- colour: white (RAL9016)
- 108 103 02 910 P

- - -