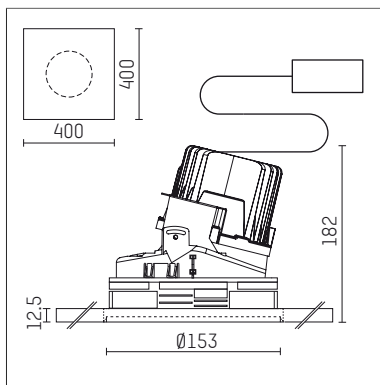




## 108 111 02 910 P | white

complx.150 | insider  
lens wall floodlight  
LED | 28 W 2700 K



LED 2700K 990lm

60°

30°

1400 cd/klm HOF12232

LED 2700K 990lm		
$\eta_{LOR}$	= 100%	
UGR	= 23.1	
E [lx]	100lx	500lx
a [m²]	n=13	n=63

HOF12232

- lens wall floodlight complx.150 insider
- with integrated lens system for homogenous wall illumination
- with plasterboard panel and integrated installation frame
- LED 2100 lm
- colour temperature: 2700 K
- L90 / B10 (50.000h)
- SDCM < 2
- net luminous flux: 990 lm
- total load: 28 W
- luminous efficacy: 35,4 lm/W
- asymmetrical light distribution
- safety cable for reflector module
- soft-lens optic with secondary reflector
- darklight reflector of aluminium, mirror finish anodised
- UGR: 23
- with external LED power unit, electronic, 220-240 V, 0/50/60 Hz
- power supply: supply cord with plug connection 2x5x2,5 mm², length: 360 mm
- suitable for through wiring
- housing of die cast aluminium
- safety glass
- recessing ring of die cast aluminium
- length: 400 mm, width: 400 mm, height: 173 mm
- diameter: 153 mm
- recessing depth: 182 mm, ceiling thickness: 12.5 mm
- rotatable 360°, fixable setting
- weight: 0 kg
- protection rating: IP20
- protection class I
- 5 years Hoffmeister warranty
- Made in Germany
- certificates: manufactured according to DIN VDE 0711 / EN 60598, CE
- colour: white (RAL9016)
- 108 111 02 910 P

- - -