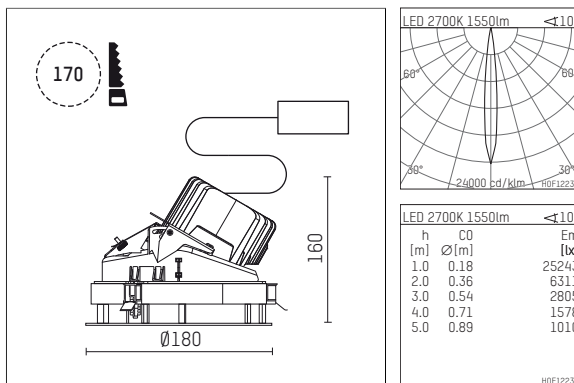




## 108 120 02 910 R | white

complx.150 | rim  
directional spotlight  
LED | 28 W 2700 K



- directional spotlight complx.150 rim
- with a rim projecting over the ceiling
- for installation into suspended ceilings
- with LED 2100 lm
- colour temperature: 2700 K
- colour rendering index: CRI >90
- L90 / B10 (50.000h)
- SDCM < 2
- net luminous flux: 1550 lm
- total load: 28 W
- luminous efficacy: 55,4 lm/W
- rotationsymmetrical light distribution, spot
- aluminium darklight reflector, mirror finish anodized
- safety-rope for reflector modules
- beam angle: 10 °
- with external LED power unit, electronic, 220-240 V, 0/50/60 Hz
- power supply: supply cord with plug connection 2x5x2,5 mm², length: 360 mm
- suitable for through wiring
- housing of die cast aluminium
- safety glass, clear
- recessing ring of die cast aluminium
- height: 147 mm
- diameter: 180 mm, recessing diameter: 170 mm
- recessing depth: 160 mm, ceiling thickness: 1-35 mm
- rotatable 360°, fixable setting, 0°-30° tiltable, fixable setting
- weight: 2,08 kg
- protection rating: IP20
- protection class I
- 5 years Hoffmeister warranty
- Made in Germany
- certificates: manufactured according to DIN VDE 0711 / EN 60598, CE
- colour: white (RAL9016)
- 108 120 02 910 R

- Overview of accessories on the following page / s

108 120 02 910 R  
**accessory****Optional accessories**

description accessory general	dimensions in mm	item number	pic.-No.
housing for concrete cast for recessed downlights complx.150 rim	ØxH: 422 x 160	108 005 10 000	01

