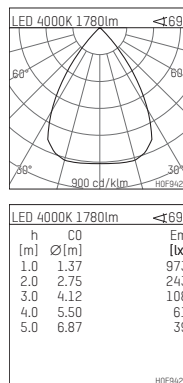
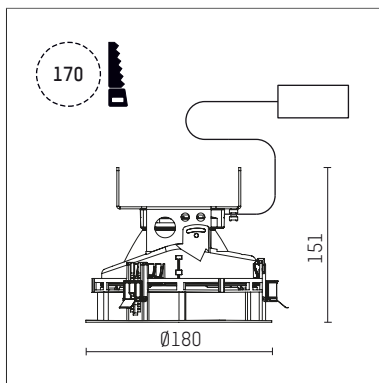




## 108 135 04 910 R | white

complx.150 | rim  
ceiling recessed luminaire  
LED Fortimo Flex | 19 W 4000 K



- ceiling recessed luminaire complx.150 rim
- with a rim projecting over the ceiling
- for installation into suspended ceilings
- with LED Fortimo Flex 2000 lm
- colour temperature: 4000 K
- colour rendering index: CRI 80
- L70 / B20 (50.000h)
- SDCM < 3
- net luminous flux: 1780 lm
- total load: 19 W
- luminous efficacy: 93,7 lm/W
- rotationsymmetrical light distribution, wide flood
- safety cable for reflector module
- darklight reflector of aluminium, mirror finish anodised
- cut of angle: 40 °
- UGR: 17
- with external LED power unit, electronic, 220-240 V, 0/50/60 Hz
- power supply: push-wire terminal 2x5x2,5 mm²
- recessing ring of die cast aluminium
- aluminium cooling elements
- height: 148 mm
- diameter: 180 mm, recessing diameter: 170 mm
- recessing depth: 151 mm, ceiling thickness: 1-35 mm
- rotatable 360°, fixable setting
- weight: 2,16 kg
- protection rating: IP20
- protection class II
- 5 years Hoffmeister warranty
- Made in Germany
- certificates: manufactured according to DIN VDE 0711 / EN 60598, CE
- colour: white (RAL9016)
- 108 135 04 910 R

- Overview of accessories on the following page / s

108 135 04 910 R  
**accessory****Optional accessories**

| description accessory general                                       | dimensions in mm | item number    | pic.-No. |
|---|------------------|----------------|----------|
| housing for concrete cast<br>for recessed downlights complx.150 rim | ØxH: 422 x 160   | 108 005 10 000 | 01       |

