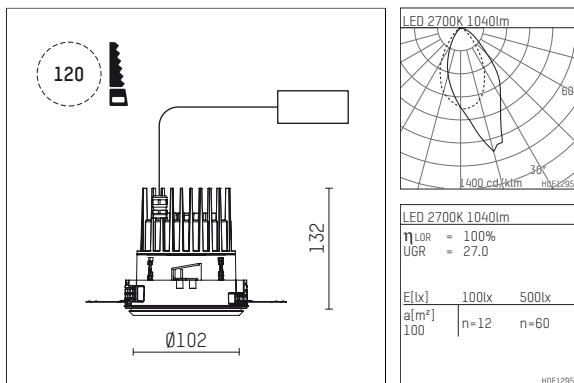




108 711 02 910 SD | white

complx.100 | insider
lens wall floodlight
LED | 21 W 2700 K



- lens wall floodlight complx.100 insider
- with integrated lens system for homogenous wall illumination
- with ceiling-flush recessing ring
- for plastering into plasterboard ceilings
- with LED 1600 lm
- colour temperature: 2700 K
- colour rendering index: CRI >90
- L90 / B10 (50.000h)
- SDCM < 2
- net luminous flux: 1040 lm
- total load: 21 W
- luminous efficacy: 49,5 lm/W
- asymmetrical light distribution
- safety cable for reflector module
- darklight reflector of aluminium, mirror finish anodised
- cut of angle: 40 °
- UGR: 27
- with external LED power unit, electronic (DALI), 220-240 V, 0/50/60 Hz
- dimmable
- dimming range: 100-1 %
- power supply: supply cord with plug connection 2x5x2,5 mm², length: 360 mm
- housing of die cast aluminium
- recessing ring of die cast aluminium
- height: 122 mm
- diameter: 102 mm
- recessing depth: 132 mm, ceiling thickness: 12.5 mm
- rotatable 360°, fixable setting
- weight: 0,65 kg
- protection rating: IP20
- protection class I
- 5 years Hoffmeister warranty
- Made in Germany
- certificates: manufactured according to DIN VDE 0711 / EN 60598, CE
- colour: white (RAL9016)
- 108 711 02 910 SD

- Overview of accessories on the following page / s

108 711 02 910 SD
accessory

Optional accessories

description accessory general	dimensions in mm	item number	pic.-No.
housing for concrete cast for recessed downlights complx.100 INSIDER	ØxH: 342 x 160	108 608 10 000	01
housing for concrete cast for recessed downlights complx.100 INSIDER	ØxH: 342 x 170	108 607 10 000	01

01