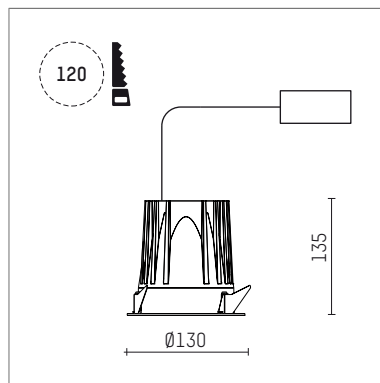




## 1088252B910D | white

complx.100  
ceiling recessed luminaire  
LED COB | 19 W 2700 K



- ceiling recessed luminaire complx.100
- with a rim projecting over the ceiling
- for installation into suspended ceilings
- with LED COB
- colour temperature: 2700 K
- colour rendering index: CRI >90
- L90 / B10 (50.000h)
- SDCM < 2
- net luminous flux: 1742 lm
- total load: 19 W
- luminous efficacy: 91,7 lm/W
- rotationsymmetrical light distribution, flood
- reflector of aluminium, black
- beam angle: 52 °
- UGR: 19
- with external LED power unit, electronic (DALI), 220-240 V, 0/50/60 Hz
- dimmable
- dimming range: 100-1 %
- power supply: push-wire terminal 4x1,5 mm<sup>2</sup>
- housing of die cast aluminium
- height: 125 mm
- diameter: 130 mm, recessing diameter: 120 mm
- recessing depth: 135 mm, ceiling thickness: 2-25mm
- weight: 0,84 kg
- protection rating: IP20
- protection class II
- 5 years Hoffmeister warranty
- Made in Germany
- maximum ambient temperature: 40 ° C
- certificates: manufactured according to DIN VDE 0711 / EN 60598, CE
- colour: white (RAL9016)
- 1088252B910D

- Overview of accessories on the following page / s

1088252B910D

**accessory****Optional accessories**

description accessory general	dimensions in mm	item number	pic.-No.
housing for concrete cast for recessed downlights complx.100 rim	ØxH: 342 x 160	108 605 10 000	01
accessory kit for through-wiring 5-pole plug connection		103399	02

