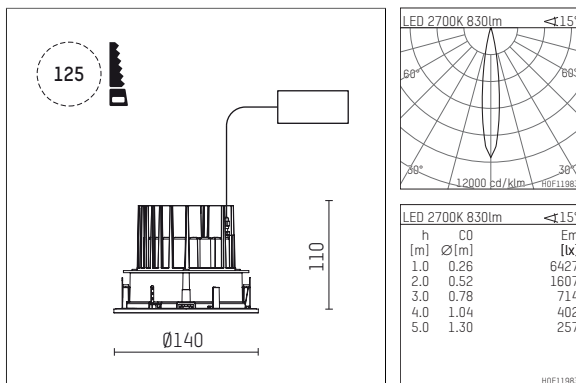




109 702 02 910 RD | white

complx.100 | IP65
ceiling recessed luminaire
LED | 14 W 2700 K



- ceiling recessed luminaire complx.100 IP65
- with a rim projecting over the ceiling
- for installation into suspended ceilings
- with LED 1060 lm
- colour temperature: 2700 K
- colour rendering index: CRI >90
- L90 / B10 (50.000h)
- SDCM < 2
- net luminous flux: 830 lm
- total load: 14 W
- luminous efficacy: 59,3 lm/W
- rotationsymmetrical light distribution, spot
- safety cable for reflector module
- cut of angle: 30 °
- beam angle: 15 °
- UGR: 4
- with external LED power unit, electronic (DALI), 220-240 V, 0/50/60 Hz
- amplitude dimming
- dimming range: 100-1 %
- power supply: supply cord 2x0,75 mm², length: 200 mm
- housing of die cast aluminium
- safety glass, clear
- recessing ring of die cast aluminium
- height: 100 mm
- diameter: 145 mm, recessing diameter: 125 mm
- recessing depth: 110 mm, ceiling thickness: 2-25mm
- weight: 0,9 kg
- protection rating: IP65 (control gear IP20)
- protection class I
- 5 years Hoffmeister warranty
- Made in Germany
- impact resistance class: IK08
- certificates: manufactured according to DIN VDE 0711 / EN 60598, CE
- colour: white (RAL9016)
- 109 702 02 910 RD

- Overview of accessories on the following page / s

109 702 02 910 RD
accessory**Optional accessories**

description accessory general	dimensions in mm	item number	pic.-No.
IP65 box for LED-Power unit Without power unit (included with DL100 downlight) The recessing depth of the downlight increases(please refer to the mounting instruction for correct values)		119 000 00 721	01
housing for concrete cast for recessed downlights complx.100 IP65	ØxH: 422 x 160	108 606 10 000	02

