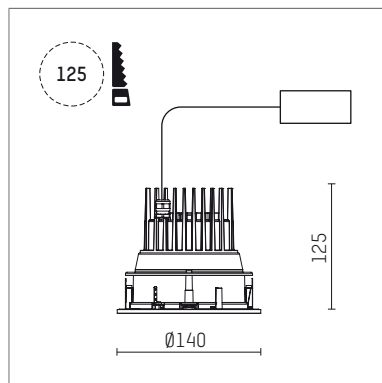




1098134S910D | white

complx.100 | IP65
ceiling recessed luminaire
LED | 10 W 4000 K



- ceiling recessed luminaire complx.100 IP65
- with a rim projecting over the ceiling
- for installation into suspended ceilings
- with LED
- colour temperature: 4000 K
- colour rendering index: CRI >90
- L90 / B10 (50.000h)
- SDCM < 2
- net luminous flux: 1227 lm
- total load: 10 W
- luminous efficacy: 122,7 lm/W
- rotationsymmetrical light distribution, medium
- reflector of aluminium, mirror finish anodised
- beam angle: 34 °
- UGR: 19
- with external LED power unit, electronic (DALI), 220-240 V, 0/50/60 Hz
- IP65
- dimmable
- dimming range: 100-1 %
- power supply: push-wire terminal 5x2,5 mm²
- housing of die cast aluminium
- Safety glass, OptiWhite
- recessing ring of die cast aluminium
- height: 115 mm
- diameter: 140 mm, recessing diameter: 125 mm
- recessing depth: 125 mm, ceiling thickness: 2-25mm
- weight: 1,55 kg
- protection rating: IP65
- protection class I
- 5 years Hoffmeister warranty
- Made in Germany
- maximum ambient temperature: 40 ° C
- impact resistance class: IK08
- certificates: manufactured according to DIN VDE 0711 / EN 60598, CE
- colour: white (RAL9016)
- 1098134S910D

- - -