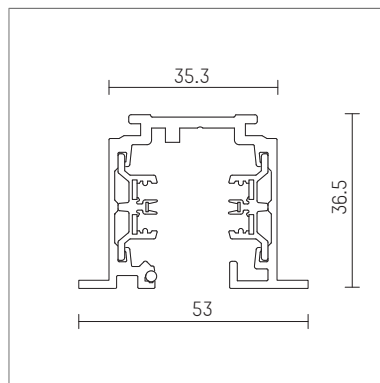


110 115 00 721 D | black

control.x | 5000 mm
Recessed track



- Recessed track control.x 5000 mm
- for installation into suspended ceilings
- VDE-compliant 3 (5)-circuit tracks
- control cables (DALI or 1-10V) integrated in a touch-proof manner
- compatible with new DALI adapters and all conventional Hoffmeister 3-circuit adapters
- mixed operation of different adapters is no problem
- Can also be used to operate emergency lighting luminaires
- control.x and 3-circuit accessories can be used
- tracks made of a stable, extruded aluminium profile
- 3 x 16A for particularly long track systems
- approved to be used within easy reach
- the track can be cut without reworking the copper conductors
- material: aluminium
- length: 5000 mm, width: 53 mm, height: 36,5 mm
- weight: 6 kg
- protection rating: IP20
- protection class I
- Made in Germany
- certificates: CE
- colour: black
- 110 115 00 721 D

- Overview of accessories on the following page / s

110 115 00 721 D
accessory

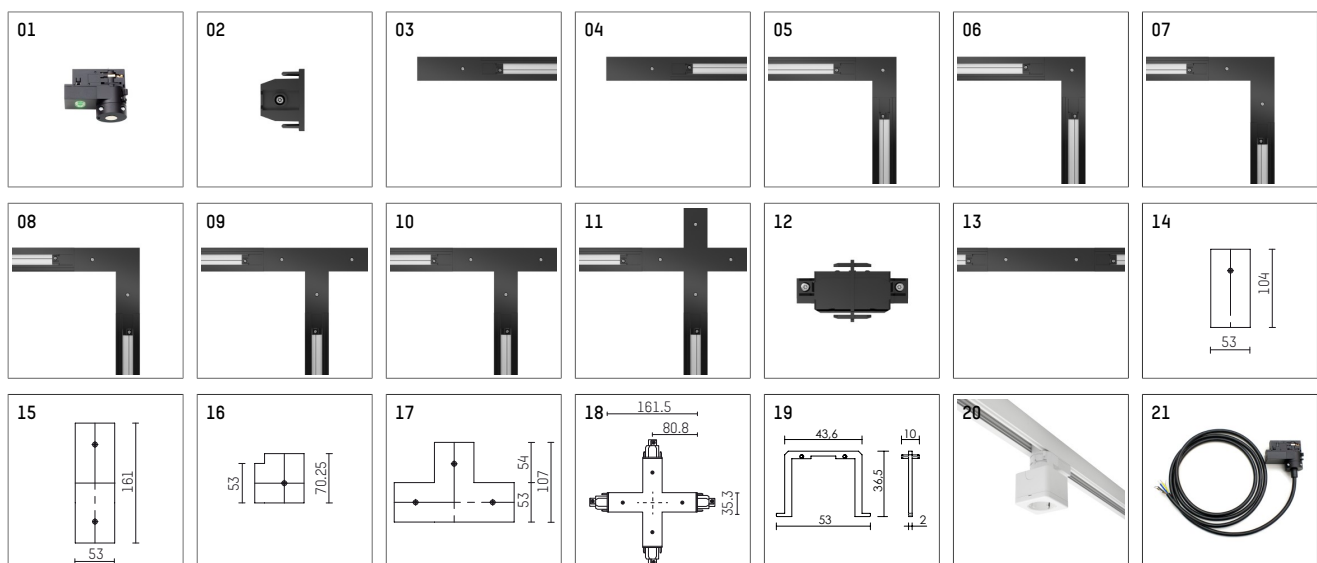
Optional accessories

description accessory general	dimensions in mm	item number	pic.-No.
control.x adapter, L/N (3-circuit) test-adapter For controlling the installed control.x track-system	LxWxH: 73 x 35,3 x 34	110 032 00 721	01
end cap	LxWxH: 3 x 35,3 x 36,5	110 000 00 721	02
end supply connector, 3-circuit earth conductor position: right	LxWxH: 96 x 35,3 x 36,5	110 001 00 721	03
end supply connector, control.x earth conductor position: right	LxWxH: 96 x 35,3 x 36,5	110 001 00 721 D	03
end supply connector, 3-circuit earth conductor position: left	LxWxH: 96 x 35,3 x 36,5	110 002 00 721	04
end supply connector, control.x earth conductor position: left	LxWxH: 96 x 35,3 x 36,5	110 002 00 721 D	04
90° coupler, 3-circuit earth conductor position: outside	LxWxH: 61,7 x 61,7 x 36,5	110 003 00 721	05
90° coupler, control.x earth conductor position: outside	LxWxH: 61,7 x 61,7 x 36,5	110 003 00 721 D	05
90° coupler, 3-circuit earth conductor position: inside	LxWxH: 61,7 x 61,7 x 36,5	110 004 00 721	06
90° coupler, control.x earth conductor position: inside	LxWxH: 61,7 x 61,7 x 36,5	110 004 00 721 D	06
90° coupler, 3-circuit earth conductor position: outside with optional power input	LxWxH: 98,4 x 98,4 x 36,5	110 005 00 721	07
90° coupler, control.x earth conductor position: outside with optional power input	LxWxH: 98,4 x 98,4 x 36,5	110 005 00 721 D	07
90° coupler, 3-circuit earth conductor position: inside with optional power input	LxWxH: 98,4 x 98,4 x 36,5	110 006 00 721	08
90° coupler, control.x earth conductor position: inside with optional power input	LxWxH: 98,4 x 98,4 x 36,5	110 006 00 721 D	08
T coupler, 3-circuit earth conductor position: right with optional power input	LxWxH: 161,5 x 98,4 x 36,5	110 007 00 721	09
T coupler, control.x earth conductor position: right with optional power input	LxWxH: 161,5 x 98,4 x 36,5	110 007 00 721 D	09
T coupler, 3-circuit earth conductor position: left with optional power input	LxWxH: 161,5 x 98,4 x 36,5	110 008 00 721	10
T coupler, control.x earth conductor position: left with optional power input	LxWxH: 161,5 x 98,4 x 36,5	110 008 00 721 D	10
X coupler, 3-circuit with optional power input	LxWxH: 161,5 x 161,5 x 36,5	110 009 00 721	11
X coupler, control.x with optional power input	LxWxH: 161,5 x 161,5 x 36,5	110 009 00 721 D	11
coupler, 3-circuit	LxWxH: 2 x 35,3 x 36,5	110 010 00 721	12
coupler, control.x	LxWxH: 2 x 35,3 x 36,5	110 010 00 721 D	12
intermediate supply connector, 3-circuit	LxWxH: 161,5 x 35,3 x 36,5	110 011 00 721	13

110 115 00 721 D
accessory

Optional accessories

description accessory general	dimensions in mm	item number	pic.-No.
intermediate supply connector, control.x	LxWxH: 161,5 x 35,3 x 36,5	110 011 00 721 D	13
cover, for end-supply connector to cover connectors and supply connectors in the case of flanged tracks	LxW: 104 x 53	110 020 00 721	14
cover, for intermediate supply connector to cover connectors and supply connectors in the case of flanged tracks	LxW: 161 x 53	110 021 00 721	15
cover, for 90° connectors without an optional feed-in to cover connectors and supply connectors in the case of flanged tracks	LxW: 70,3 x 70,3	110 022 00 721	16
cover, for T-connectors with an optional feed-in to cover connectors and supply connectors in the case of flanged tracks	LxW: 161 x 107	110 024 00 721	17
cover, for X connectors with an optional feed-in to cover connectors and supply connectors in the case of flanged tracks	LxW: 161 x 161	110 025 00 721	18
intermediate cover, for coupler to cover couplers in the case of flanged tracks	W: 2	110 026 00 721	19
safety outlet-socket, 1-fach with 3-circuit universal adaptor for control.x tracks	LxWxH: 60 x 60 x 89	110 029 00 721	20
control.x adapter, DALI for control.x tracks	LxWxH: 73 x 35,3 x 39	110 030 00 721 D	21
control.x adapter, DALI for control.x tracks	LxWxH: 77 x 35,3 x 39	110 031 00 721 D	22
clamp, for suspension from raw ceiling for combination with suspension systems provided by costumers for control.x tracks		093 711 00 721	23



110 115 00 721 D
accessory

