

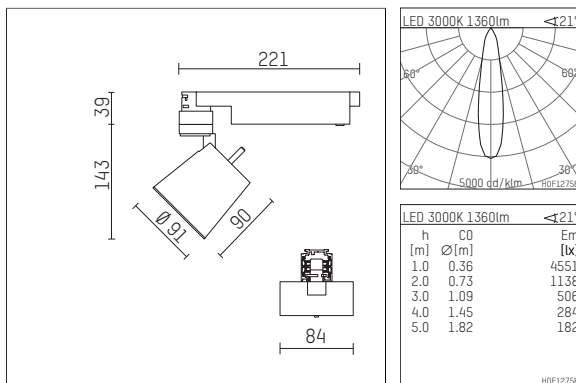


112 270 03 910 D | white

gin.o 2

spotlight

LED COB | 14 W 3000 K



- spotlight gin.o 2
- with 3 circuit DALI adapter
- for Hoffmeister control.x tracks
- circuit selection is possible while adapter is inserted into the track
- passive thermo management
- with LED COB 2000 lm
- colour temperature: 3000 K
- colour rendering index: CRI >90
- L90 / B10 (50.000h)
- SDCM < 2
- net luminous flux: 1360 lm
- total load: 14 W
- luminous efficacy: 97,1 lm/W
- rotationsymmetrical light distribution, spot
- reflector of aluminium, silver anodised
- LED power unit integrated in adapter, electronic (DALI), 220-240 V, 0/50/60 Hz
- amplitude dimming
- dimming range: 100-1 %
- housing of die cast aluminium
- adapter of fibreglass reinforced thermoplastic
- color-, protection- and conversion-filters are available as accessory
- length: 221 mm, width: 84 mm, height: 182 mm
- rotatable 360°, 90° tiltable
- weight: 1,09 kg
- protection rating: IP20
- protection class I
- 5 years Hoffmeister warranty
- Made in Germany
- maximum ambient temperature: 45 ° C
- certificates: manufactured according to DIN VDE 0711 / EN 60598, CE
- colour: white (RAL9016)
- 112 270 03 910 D

- Overview of accessories on the following page / s

112 270 03 910 D
accessory

Optional accessories

| description accessory general | dimensions in mm | item number | pic.-No. |
|---|------------------|----------------|----------|
| antiglare flaps for spotlights gin.a, gin.o and lo.nely size 2 | | 103438 | 01 |
| changable reflector flood for gin.o 2 | | 112 272 00 000 | 02 |
| changable reflector medium for gin.o 2 | | 112 271 00 000 | 02 |
| connection ring suitable for attachment of accessories for spotlights gin.a, gin.o and lo.nely size 2 | | 103446 | 03 |
| tube screen suitable for attachment of accessories for spotlights gin.a, gin.o and lo.nely size 2 | | 103443 | 04 |
| connection tube with cross louver suitable for attachment of accessories for spotlights gin.a, gin.o and lo.nely size 2 | | 103440 | 05 |
| visor suitable for attachment of accessories for spotlights gin.a, gin.o and lo.nely size 2 | | 104749 | 06 |



Additional optional accessory components

| description accessory general | dimensions in mm | item number | pic.-No. |
|--|------------------|-------------|----------|
| soft.shape lens for spotlights gin.a, gin.o and lo.nely size 2 | ∅: 74 | 104228 | 01 |
| soft.spot lens for spotlights gin.a, gin.o and lo.nely size 2 | ∅: 74 | 103461 | 01 |
| sculpture lens for spotlights gin.a, gin.o and lo.nely size 2 | ∅: 74 | 103460 | 02 |
| prismatic glass for spotlights gin.a, gin.o and lo.nely size 2 | ∅: 74 | 104915 | 03 |
| honeycomb louver for spotlights gin.a, gin.o and lo.nely size 2 | | 103448 | 04 |
| Dichroitic conversion filter daylight filter, conversion from 3000K to 5000K for spotlights gin.a, gin.o and lo.nely size 2 | ∅: 74 | 103459 | 05 |
| Dichroitic conversion filter neutral filter, conversion from 3000K to 4000K for spotlights gin.a, gin.o and lo.nely size 2 | ∅: 74 | 103458 | 06 |
| Dichroitic conversion filter warm tone filter, conversion from 3000K to 2400K for spotlights gin.a, gin.o and lo.nely size 2 | ∅: 74 | 103457 | 07 |

112 270 03 910 D
accessory



Possible optional accessories combinations

| item number | 103448 | 103457 | 103458 | 103459 | 103460 | 103461 | 104228 | 104915 |
|----------------|--------|--------|--------|--------|--------|--------|--------|--------|
| 103438 | | | | | | | | |
| 112 272 00 000 | | | | | | | | |
| 112 271 00 000 | | | | | | | | |
| 103446 | X | X | X | X | X | X | X | X |
| 103443 | X | | | | | | | |
| 103440 | X | | | | | | | |
| 104749 | | | | | | | | |