

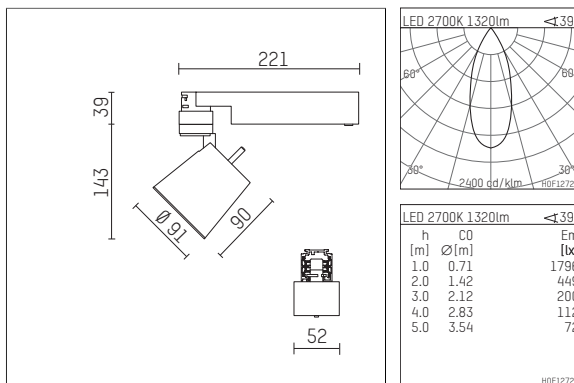


**112 272 02 906 | silver**

gin.o 2

spotlight

LED COB | 18 W 2700 K



- spotlight gin.o 2
- with 3 circuit universal adapter
- for Hoffmeister control.x tracks
- circuit selection is possible while adapter is inserted into the track
- passive thermo management
- with LED COB 2000 lm
- colour temperature: 2700 K
- colour rendering index: CRI >90
- L90 / B10 (50.000h)
- SDCM < 2
- net luminous flux: 1320 lm
- total load: 18 W
- luminous efficacy: 73,3 lm/W
- rotationsymmetrical light distribution, flood
- reflector of aluminium, silver anodised
- LED power unit integrated in adapter, electronic, 220-240 V, 0/50/60 Hz
- housing of die cast aluminium
- adapter of fibreglass reinforced thermoplastic
- color-, protection- and conversion-filters are available as accessory
- length: 221 mm, width: 52 mm, height: 182 mm
- rotatable 360°, 90° tiltable
- weight: 0,65 kg
- protection rating: IP20
- protection class I
- 5 years Hoffmeister warranty
- Made in Germany
- maximum ambient temperature: 45 °C
- certificates: manufactured according to DIN VDE 0711 / EN 60598, CE
- colour: silver
- 112 272 02 906

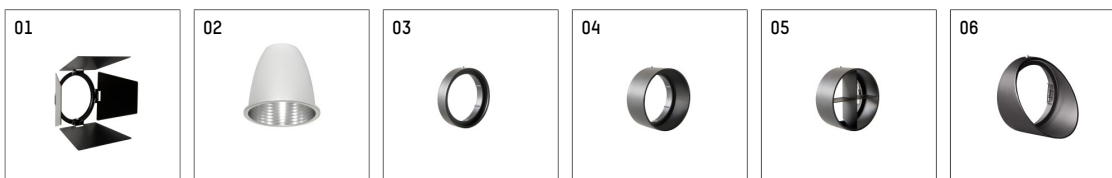
- Overview of accessories on the following page / s

112 272 02 906

accessory

### Optional accessories

| description accessory general   | dimensions in mm | item number    | pic.-No. |
|---|------------------|----------------|----------|
| antiglare flaps<br>for spotlights gin.a, gin.o and lo.nely size 2   |                  | 103438         | 01       |
| changable reflector<br>medium<br>for gin.o 2  |                  | 112 271 00 000 | 02       |
| changable reflector<br>spot<br>for gin.o 2  |                  | 112 270 00 000 | 02       |
| connection ring<br>suitable for attachment of accessories<br>for spotlights gin.a, gin.o and lo.nely size 2                   |                  | 103445         | 03       |
| tube screen<br>suitable for attachment of accessories<br>for spotlights gin.a, gin.o and lo.nely size 2                       |                  | 103442         | 04       |
| connection tube with cross louver<br>suitable for attachment of accessories<br>for spotlights gin.a, gin.o and lo.nely size 2 |                  | 103439         | 05       |
| visor<br>suitable for attachment of accessories<br>for spotlights gin.a, gin.o and lo.nely size 2                             |                  | 104748         | 06       |



### Additional optional accessory components

| description accessory general  | dimensions in mm | item number | pic.-No. |
|--|------------------|-------------|----------|
| soft.shape lens<br>for spotlights gin.a, gin.o and lo.nely size 2  | ∅: 74            | 104228      | 01       |
| soft.spot lens<br>for spotlights gin.a, gin.o and lo.nely size 2   | ∅: 74            | 103461      | 01       |
| sculpture lens<br>for spotlights gin.a, gin.o and lo.nely size 2   | ∅: 74            | 103460      | 02       |
| prismatic glass<br>for spotlights gin.a, gin.o and lo.nely size 2  | ∅: 74            | 104915      | 03       |
| honeycomb louver<br>for spotlights gin.a, gin.o and lo.nely size 2   |                  | 103448      | 04       |
| Dichroitic conversion filter<br>daylight filter, conversion from 3000K to 5000K<br>for spotlights gin.a, gin.o and lo.nely size 2  | ∅: 74            | 103459      | 05       |
| Dichroitic conversion filter<br>neutral filter, conversion from 3000K to 4000K<br>for spotlights gin.a, gin.o and lo.nely size 2   | ∅: 74            | 103458      | 06       |
| Dichroitic conversion filter<br>warm tone filter, conversion from 3000K to 2400K<br>for spotlights gin.a, gin.o and lo.nely size 2 | ∅: 74            | 103457      | 07       |

112 272 02 906  
accessory



**Possible optional accessories combinations**

| item number    | 103448 | 103457 | 103458 | 103459 | 103460 | 103461 | 104228 | 104915 |
|----------------|--------|--------|--------|--------|--------|--------|--------|--------|
| 103438         |        |        |        |        |        |        |        |        |
| 112 271 00 000 |        |        |        |        |        |        |        |        |
| 112 270 00 000 |        |        |        |        |        |        |        |        |
| 103445         | X      | X      | X      | X      | X      | X      | X      | X      |
| 103442         | X      |        |        |        |        |        |        |        |
| 103439         | X      |        |        |        |        |        |        |        |
| 104748         |        |        |        |        |        |        |        |        |