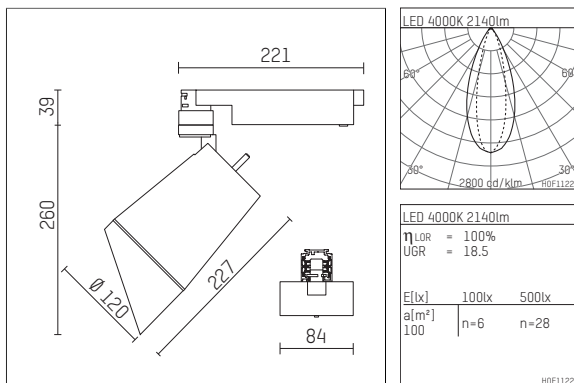




## 112 335 04 906 D | silver

gin.o 3  
lens wall floodlight  
LED | 28 W 4000 K



- lens wall floodlight gin.o 3
- with 3 circuit DALI adapter
- for Hoffmeister control.x tracks
- circuit selection is possible while adapter is inserted into the track
- lens wall floodlight for homogenous wall illumination
- passive thermo management
- with LED 3150 lm
- colour temperature: 4000 K
- colour rendering index: CRI >80
- L90 / B10 (50.000h)
- SDCM < 2
- net luminous flux: 2140 lm
- total load: 28 W
- luminous efficacy: 76,4 lm/W
- asymmetrical light distribution
- soft-lens optic with secondary reflector
- LED power unit integrated in adapter, electronic (DALI)
- amplitude dimming
- dimming range: 100-1 %
- housing of die cast aluminium
- adapter of fibreglass reinforced thermoplastic
- color-, protection- and conversion-filters are available as accessory
- length: 221 mm, width: 84 mm, height: 299 mm
- rotatable 360°, 90° tiltable
- weight: 2,43 kg
- protection rating: IP20
- protection class I
- 5 years Hoffmeister warranty
- Made in Germany
- maximum ambient temperature: 35 ° C
- certificates: manufactured according to DIN VDE 0711 / EN 60598, CE
- colour: silver
- 112 335 04 906 D

- Overview of accessories on the following page / s

112 335 04 906 D  
**accessory****Optional accessories**

| description accessory general  | dimensions in mm   | item number   | pic.-No. |
|--|--------------------|---------------|----------|
| colour filter sheet<br>set of 10 sheets<br>for spotlights gin.o and lo.nely size 3 | LxW: 119,5 x 119,5 | 105 779-HT019 | 01       |
| antiglare flaps<br>for spotlights gin.o and lo.nely size 3                         |                    | 105757        | 02       |

