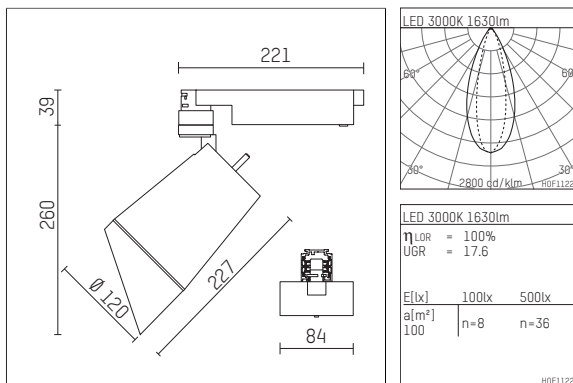




**112 335 13 906 | silver**

gin.o 3  
lens wall floodlight  
LED | 28 W 3000 K



- lens wall floodlight gin.o 3
- with 3 circuit universal adapter
- for Hoffmeister control.x tracks
- circuit selection is possible while adapter is inserted into the track
- lens wall floodlight for homogenous wall illumination
- passive thermo management
- with LED 2400 lm
- colour temperature: 3000 K
- colour rendering index: CRI >90
- L90 / B10 (50.000h)
- SDCM < 2
- net luminous flux: 1630 lm
- total load: 28 W
- luminous efficacy: 58,2 lm/W
- asymmetrical light distribution
- soft-lens optic with secondary reflector
- LED power unit integrated in adapter, electronic (POTI)
- amplitude dimming
- adapter with integrated potentiometer
- dimming range: 100-1 %
- housing of die cast aluminium
- adapter of fibreglass reinforced thermoplastic
- color-, protection- and conversion-filters are available as accessory
- length: 221 mm, width: 84 mm, height: 299 mm
- rotatable 360°, 90° tiltable
- weight: 2,43 kg
- protection rating: IP20
- protection class I
- 5 years Hoffmeister warranty
- Made in Germany
- maximum ambient temperature: 35 ° C
- certificates: manufactured according to DIN VDE 0711 / EN 60598, CE
- colour: silver
- 112 335 13 906

- Overview of accessories on the following page / s

112 335 13 906

**accessory****Optional accessories**

description accessory general	dimensions in mm	item number	pic.-No.
colour filter sheet set of 10 sheets for spotlights gin.o and lo.nely size 3	LxW: 119,5 x 119,5	105 779-HT019	01
antiglare flaps for spotlights gin.o and lo.nely size 3		105757	02

