

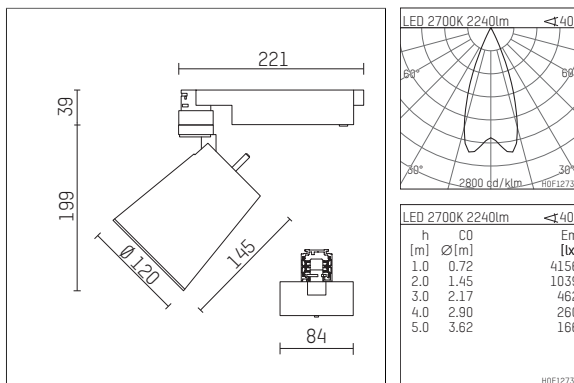


**112 372 12 910 | white**

gin.o 3

spotlight

LED COB | 41 W 2700 K



- spotlight gin.o 3
- with 3 circuit universal adapter
- for Hoffmeister control.x tracks
- circuit selection is possible while adapter is inserted into the track
- passive thermo management
- with LED COB 3000 lm
- colour temperature: 2700 K
- colour rendering index: CRI >90
- L90 / B10 (50.000h)
- SDCM < 2
- net luminous flux: 2240 lm
- total load: 41 W
- luminous efficacy: 54,6 lm/W
- rotationsymmetrical light distribution, flood
- reflector of aluminium, silver anodised
- LED power unit integrated in adapter, electronic (POTI), 220-240 V, 50/60 Hz
- amplitude dimming
- adapter with integrated potentiometer
- dimming range: 100-1 %
- housing of die cast aluminium
- adapter of fibreglass reinforced thermoplastic
- color-, protection- and conversion-filters are available as accessory
- length: 221 mm, width: 84 mm, height: 238 mm
- rotatable 360°, 90° tiltable
- weight: 1,85 kg
- protection rating: IP20
- protection class I
- 5 years Hoffmeister warranty
- Made in Germany
- maximum ambient temperature: 45 ° C
- certificates: manufactured according to DIN VDE 0711 / EN 60598, CE
- colour: white (RAL9016)
- 112 372 12 910

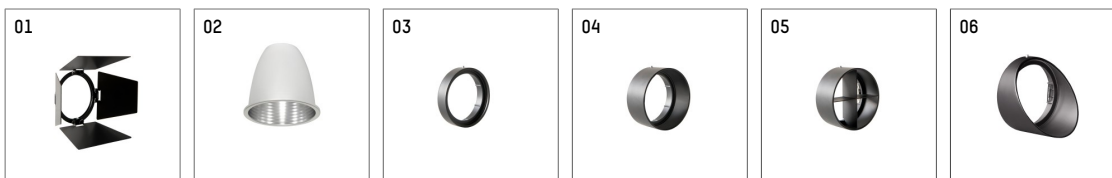
- Overview of accessories on the following page / s

112 372 12 910

**accessory**

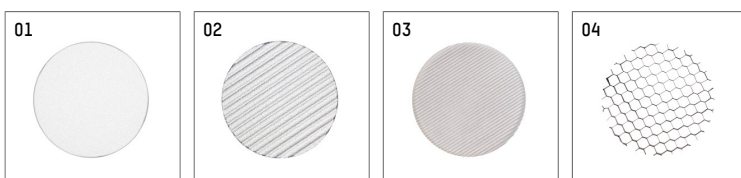
### Optional accessories

| description accessory general  | dimensions in mm | item number    | pic.-No. |
|--|------------------|----------------|----------|
| antiglare flaps<br>for spotlights gin.o and lo.nely size 3   |                  | 105757         | 01       |
| changable reflector<br>spot<br>for gin.o 3 and directional spotlight SAM   |                  | 112 370 00 000 | 02       |
| changable reflector<br>medium<br>for gin.o 3 and directional spotlight SAM   |                  | 112 371 00 000 | 02       |
| connection ring<br>suitable for attachment of accessories<br>for spotlights gin.o and lo.nely size 3                   |                  | 105760910      | 03       |
| tube screen<br>suitable for attachment of accessories<br>for spotlights gin.o and lo.nely size 3                       |                  | 105759910      | 04       |
| connection tube with cross louver<br>suitable for attachment of accessories<br>for spotlights gin.o and lo.nely size 3 |                  | 105758910      | 05       |
| visor<br>suitable for attachment of accessories<br>for spotlights gin.o and lo.nely size 3                             |                  | 105783910      | 06       |



### Additional optional accessory components

| description accessory general                               | dimensions in mm | item number | pic.-No. |
|---|------------------|-------------|----------|
| soft.shape lens<br>for spotlights gin.o and lo.nely size 3  | Ø: 100           | 105782      | 01       |
| sculpture lens<br>for spotlights gin.o and lo.nely size 3   | Ø: 100           | 105773      | 02       |
| prismatic glass<br>for spotlights gin.o and lo.nely size 3  | Ø: 100           | 105775      | 03       |
| honeycomb louver<br>for spotlights gin.o and lo.nely size 3 |                  | 105761721   | 04       |
| soft.spot lens<br>for spotlights gin.o and lo.nely size 3   | Ø: 100           | 105774      | 01       |



112 372 12 910  
accessory

**Possible optional accessories combinations**

| item number    | 105761721 | 105773 | 105774 | 105775 | 105782 |
|----------------|-----------|--------|--------|--------|--------|
| 105757         |           |        |        |        |        |
| 112 370 00 000 |           |        |        |        |        |
| 112 371 00 000 |           |        |        |        |        |
| 105760910      | X         | X      | X      | X      | X      |
| 105759910      | X         |        |        |        |        |
| 105758910      | X         |        |        |        |        |
| 105783910      |           |        |        |        |        |