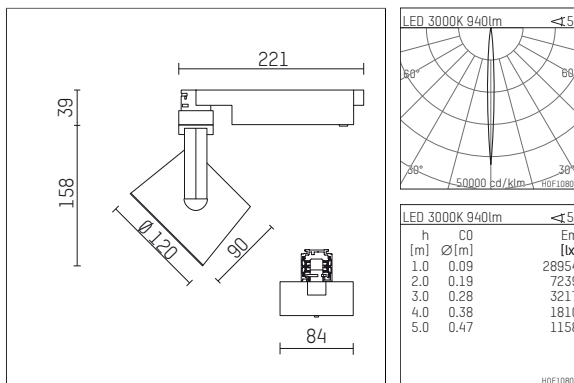




113 311 03 906 D | silver

lo.nely 3
spotlight
LED | 15 W 3000 K



- spotlight lo.nely 3
- with 3 circuit DALI adapter
- for Hoffmeister control.x tracks
- circuit selection is possible while adapter is inserted into the track
- passive thermo management
- with LED 1100 lm
- colour temperature: 3000 K
- colour rendering index: CRI >90
- L90 / B10 (50.000h)
- SDCM < 2
- net luminous flux: 940 lm
- total load: 15 W
- luminous efficacy: 62,7 lm/W
- rotationsymmetrical light distribution, narrow spot
- beam angle: 5°
- LED power unit integrated in adapter, electronic (DALI)
- amplitude dimming
- dimming range: 100-0,1 %
- housing of die cast aluminium
- adapter of fibreglass reinforced thermoplastic
- safety glass, clear
- color-, protection- and conversion-filters are available as accessory
- length: 221 mm, width: 84 mm, height: 197 mm
- rotatable 360°, 90° tiltable (can be fixed)
- weight: 1,35 kg
- protection rating: IP20
- protection class I
- 5 years Hoffmeister warranty
- Made in Germany
- maximum ambient temperature: 35 ° C
- certificates: manufactured according to DIN VDE 0711 / EN 60598, CE
- colour: silver
- 113 311 03 906 D

- Overview of accessories on the following page / s

113 311 03 906 D
accessory

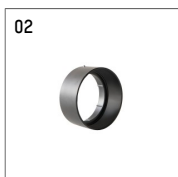
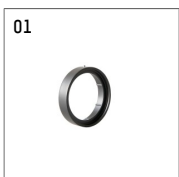
Required accessories

| description accessory general | dimensions in mm | item number | pic.-No. |
|--|------------------|-------------|----------|
| antiglare flaps for spotlights gin.o and lo.nely size 3 | | 105757 | 01 |



Optional accessories

| description accessory general | dimensions in mm | item number | pic.-No. |
|--|------------------|-------------|----------|
| connection ring suitable for attachment of accessories for spotlights gin.o and lo.nely size 3 | | 105760906 | 01 |
| tube screen suitable for attachment of accessories for spotlights gin.o and lo.nely size 3 | | 105759906 | 02 |
| connection tube with cross louver suitable for attachment of accessories for spotlights gin.o and lo.nely size 3 | | 105758906 | 03 |
| visor suitable for attachment of accessories for spotlights gin.o and lo.nely size 3 | | 105783906 | 04 |



Additional optional accessory components

| description accessory general | dimensions in mm | item number | pic.-No. |
|---|------------------|-------------|----------|
| soft.shape lens for spotlights gin.o and lo.nely size 3 | Ø: 100 | 105782 | 01 |
| sculpture lens for spotlights gin.o and lo.nely size 3 | Ø: 100 | 105773 | 02 |
| prismatic glass for spotlights gin.o and lo.nely size 3 | Ø: 100 | 105775 | 03 |
| honeycomb louver for spotlights gin.o and lo.nely size 3 | | 105761721 | 04 |
| soft.spot lens for spotlights gin.o and lo.nely size 3 | Ø: 100 | 105774 | 01 |

113 311 03 906 D
accessory



Possible optional accessories combinations

| item number | 105761721 | 105773 | 105774 | 105775 | 105782 |
|-------------|-----------|--------|--------|--------|--------|
| 105757 | | | | | |
| 105760906 | X | X | X | X | X |
| 105759906 | X | | | | |
| 105758906 | X | | | | |
| 105783906 | | | | | |