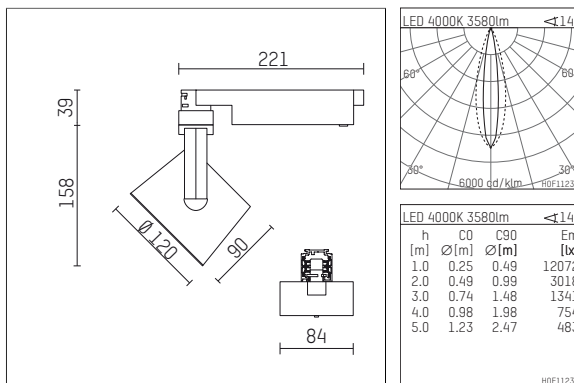




113 346 14 910 | white

lo.nely 3 | oval flood
floodlight
LED | 41 W 4000 K



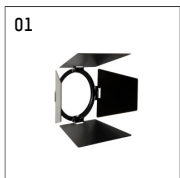
- floodlight lo.nely 3 oval flood
- with 3 circuit universal adapter
- for Hoffmeister control.x tracks
- circuit selection is possible while adapter is inserted into the track
- with horizontal oval.flood light distribution
- passive thermo management
- with LED 4300 lm
- colour temperature: 4000 K
- colour rendering index: CRI >80
- L90 / B10 (50.000h)
- SDCM < 2
- net luminous flux: 3580 lm
- total load: 41 W
- luminous efficacy: 87,3 lm/W
- oval flood horizontal
- LED power unit integrated in adapter, electronic (POTI)
- temperature-controlled LED circuit board (NTC)
- amplitude dimming
- adapter with integrated potentiometer
- dimming range: 100-1 %
- housing of die cast aluminium
- adapter of fibreglass reinforced thermoplastic
- microprismatic filter with very high rate of light transmission
- length: 221 mm, width: 84 mm, height: 197 mm
- rotatable 360°, 90° tiltable (can be fixed)
- weight: 1,25 kg
- protection rating: IP20
- protection class I
- 5 years Hoffmeister warranty
- Made in Germany
- maximum ambient temperature: 35 ° C
- certificates: manufactured according to DIN VDE 0711 / EN 60598, CE
- colour: white (RAL9016)
- 113 346 14 910

- Overview of accessories on the following page / s

113 346 14 910
accessory

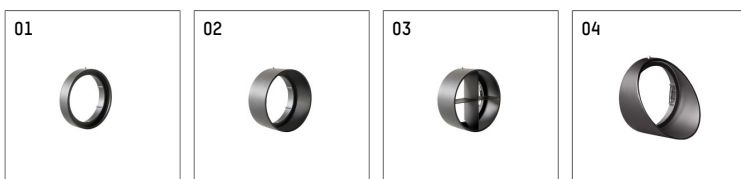
Required accessories

| description accessory general | dimensions in mm | item number | pic.-No. |
|--|------------------|-------------|----------|
| antiglare flaps for spotlights gin.o and lo.nely size 3 | | 105757 | 01 |



Optional accessories

| description accessory general | dimensions in mm | item number | pic.-No. |
|--|------------------|-------------|----------|
| connection ring suitable for attachment of accessories for spotlights gin.o and lo.nely size 3 | | 105760910 | 01 |
| tube screen suitable for attachment of accessories for spotlights gin.o and lo.nely size 3 | | 105759910 | 02 |
| connection tube with cross louver suitable for attachment of accessories for spotlights gin.o and lo.nely size 3 | | 105758910 | 03 |
| visor suitable for attachment of accessories for spotlights gin.o and lo.nely size 3 | | 105783910 | 04 |



Additional optional accessory components

| description accessory general | dimensions in mm | item number | pic.-No. |
|---|------------------|-------------|----------|
| soft.shape lens for spotlights gin.o and lo.nely size 3 | Ø: 100 | 105782 | 01 |
| sculpture lens for spotlights gin.o and lo.nely size 3 | Ø: 100 | 105773 | 02 |
| prismatic glass for spotlights gin.o and lo.nely size 3 | Ø: 100 | 105775 | 03 |
| honeycomb louver for spotlights gin.o and lo.nely size 3 | | 105761721 | 04 |
| soft.spot lens for spotlights gin.o and lo.nely size 3 | Ø: 100 | 105774 | 01 |

113 346 14 910
accessory



Possible optional accessories combinations

| item number | 105761721 | 105773 | 105774 | 105775 | 105782 |
|-------------|-----------|--------|--------|--------|--------|
| 105757 | | | | | |
| 105760910 | X | X | X | X | X |
| 105759910 | X | | | | |
| 105758910 | X | | | | |
| 105783910 | | | | | |