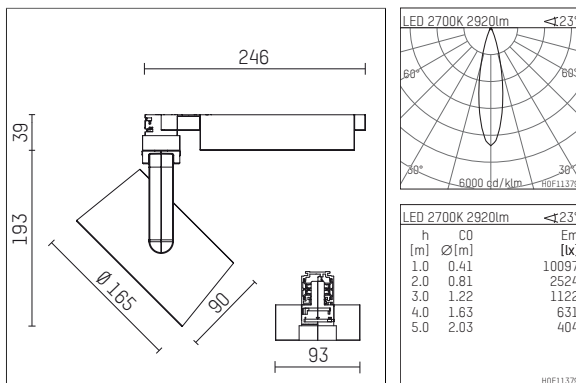




**116 543 12 910 | white**

lo.nely 4  
spotlight  
LED | 55 W 2700 K



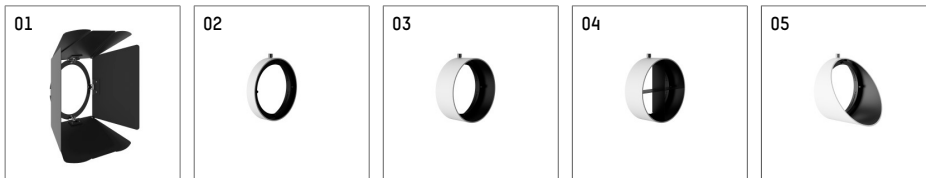
- spotlight lo.nely 4
- with 3 circuit universal adapter
- for Hoffmeister control.x tracks
- circuit selection is possible while adapter is inserted into the track
- passive thermo management
- with LED 3300 lm
- colour temperature: 2700 K
- colour rendering index: CRI >90
- L90 / B10 (50.000h)
- SDCM < 3
- net luminous flux: 2920 lm
- total load: 55 W
- luminous efficacy: 53,1 lm/W
- medium
- beam angle: 25 °
- LED power unit integrated in adapter, electronic (POTI), 220-240 V, 0/50/60 Hz
- amplitude dimming
- adapter with integrated potentiometer
- dimming range: 100-1 %
- housing of die cast aluminium
- adapter of fibreglass reinforced thermoplastic
- safety glass, clear
- color-, protection- and conversion-filters are available as accessory
- length: 246 mm, width: 93 mm, height: 232 mm
- rotatable 360°, 95° tilttable (can be fixed)
- weight: 2,15 kg
- protection rating: IP20
- protection class I
- 5 years Hoffmeister warranty
- Made in Germany
- maximum ambient temperature: 35 ° C
- certificates: manufactured according to DIN VDE 0711 / EN 60598, CE
- colour: white (RAL9016)
- 116 543 12 910

- Overview of accessories on the following page / s

116 543 12 910  
**accessory**

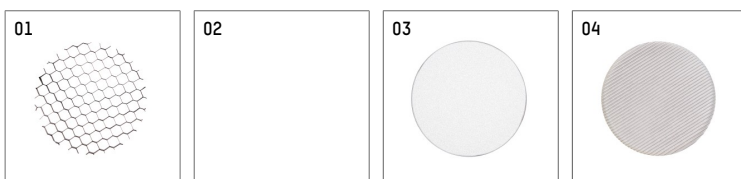
### Optional accessories

| description accessory general  | dimensions in mm | item number    | pic.-No. |
|--|------------------|----------------|----------|
| antiglare flaps, 8-leaf barn door<br>with connection ring 11656000721 (black)<br>for spotlights lo.nely size 4 |                  | 116 564 00 721 | 01       |
| connection ring<br>suitable for attachment of accessories<br>for spotlights lo.nely size 4                     |                  | 116 560 00 910 | 02       |
| tube screen<br>suitable for attachment of accessories<br>for spotlights lo.nely size 4                         |                  | 116 561 00 910 | 03       |
| connection tube with cross louver<br>suitable for attachment of accessories<br>for spotlights lo.nely size 4   |                  | 116 562 00 910 | 04       |
| visor<br>suitable for attachment of accessories<br>for spotlights lo.nely size 4                               |                  | 116 563 00 910 | 05       |



### Additional optional accessory components

| description accessory general                               | dimensions in mm | item number    | pic.-No. |
|---|------------------|----------------|----------|
| honeycomb louver<br>für Strahler lo.nely Größe 4            |                  | 116 578 00 000 | 01       |
| sculpture lens<br>for spotlights lo.nely size 4             | Ø: 146,5         | 116 571 00 000 | 02       |
| soft.shape lens<br>for spotlights lo.nely size 4            | Ø: 146,5         | 116 570 00 000 | 03       |
| soft.spot lens<br>for spotlights lo.nely size 4             | Ø: 146,5         | 116 574 00 000 | 03       |
| prismatic glass<br>for spotlights lo.nely size 4            | Ø: 146,5         | 116 573 00 000 | 04       |
| wide flood structured glas<br>for spotlights lo.nely size 4 | Ø: 146,5         | 116 572 00 000 | 02       |



116 543 12 910  
**accessory****Possible optional accessories combinations**

| item number    | 116 570 00 000 | 116 571 00 000 | 116 572 00 000 | 116 573 00 000 | 116 574 00 000 | 116 578 00 000 |
|----------------|----------------|----------------|----------------|----------------|----------------|----------------|
| 116 564 00 721 |                |                |                |                |                |                |
| 116 560 00 910 | X              | X              | X              | X              | X              | X              |
| 116 561 00 910 |                |                |                |                |                |                |
| 116 562 00 910 |                |                |                |                |                |                |
| 116 563 00 910 |                |                |                |                |                |                |