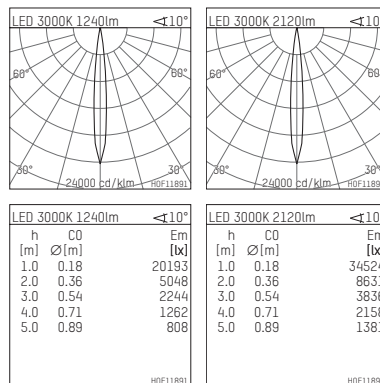
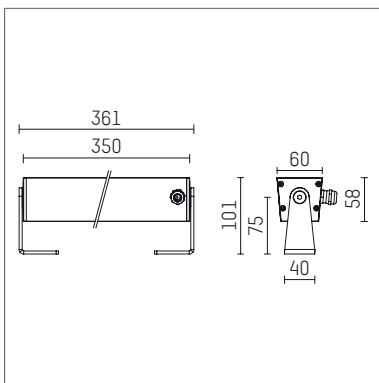




117 032 03 726 | anthracite

led.modular | IP65
linear luminaire
LED | 28 W 3000 K



- linear luminaire led.modular IP65
- adjustable
- with mounting bracket
- for installation on wall or ceiling
- for optimal illumination of vertical facades
- with LED 2400 lm
- colour temperature: 3000 K
- colour rendering index: CRI >90
- L80 / B10 (50.000h)
- SDCM < 2
- net luminous flux: 2120 lm
- total load: 28 W
- luminous efficacy: 75,7 lm/W
- symmetrical light distribution, spot
- beam angle: 10 °
- for external control gear
- temperature-controlled LED circuit board (NTC) optional
- reduction of system power (14W / 1350lm) is possible
- secondary connection:
- supply cord, length: 2000 mm
- housing of extruded aluminium profile
- safety glass, clear
- bracket of stainless steel
- length: 361 mm, width: 60 mm, height: 100 mm
- weight: 1,75 kg
- protection rating: IP65
- protection class I
- 5 years Hoffmeister warranty
- Made in Germany
- maximum ambient temperature: 50 ° C
- impact resistance class: IK07
- certificates: manufactured according to DIN VDE 0711 / EN 60598, CE
- colour: anthracite
- 117 032 03 726

- Overview of accessories on the following page / s

117 032 03 726
accessory**Required accessories**

description accessory general	dimensions in mm	item number	pic.-No.
LED power unit, 40W, 350mA with high protection rating IP65 for outdoor usage	LxWxH: 220 x 120 x 80	117 092 00 721	01
LED power unit, 40W, 350mA, DALI with high protection rating IP65 for outdoor usage	LxWxH: 220 x 120 x 80	117 092 00 721 D	01
LED power unit, 50W, 700mA with high protection rating IP65 for outdoor usage	LxWxH: 220 x 120 x 80	117 091 00 721	01
LED power unit, 50W, 700mA, DALI with high protection rating IP65 for outdoor usage	LxWxH: 220 x 120 x 80	117 091 00 721 D	01

01