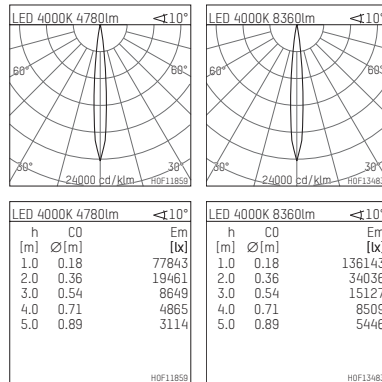
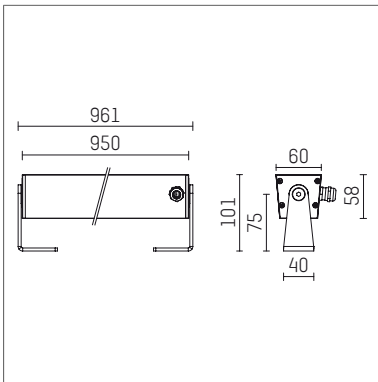




117 052 04 910 | white

led.modular | IP65
linear luminaire
LED | 83 W 4000 K



- linear luminaire led.modular IP65
- adjustable
- with mounting bracket
- for installation on wall or ceiling
- for optimal illumination of vertical facades
- with LED 9450 lm
- colour temperature: 4000 K
- colour rendering index: CRI >80
- L80 / B10 (50.000h)
- SDCM < 2
- net luminous flux: 8360 lm
- total load: 83 W
- luminous efficacy: 100,7 lm/W
- symmetrical light distribution, spot
- beam angle: 10 °
- for external control gear
- temperature-controlled LED circuit board (NTC) optional
- reduction of system power (40W / 5400lm) is possible
- secondary connection:
- supply cord, length: 2000 mm
- housing of extruded aluminium profile
- safety glass, clear
- bracket of stainless steel
- length: 961 mm, width: 60 mm, height: 100 mm
- weight: 3,95 kg
- protection rating: IP65
- protection class I
- 5 years Hoffmeister warranty
- Made in Germany
- maximum ambient temperature: 50 ° C
- impact resistance class: IK07
- certificates: manufactured according to DIN VDE 0711 / EN 60598, CE
- colour: white
- 117 052 04 910

- Overview of accessories on the following page / s

117 052 04 910
accessory**Required accessories**

description accessory general	dimensions in mm	item number	pic.-No.
LED power unit, 40W, 350mA, DALI with high protection rating IP65 for outdoor usage	LxWxH: 220 x 120 x 80	117 092 00 721 D	01
LED power unit, 40W, 350mA with high protection rating IP65 for outdoor usage	LxWxH: 220 x 120 x 80	117 092 00 721	01
LED power unit, 90W, 700mA with high protection rating IP65 for outdoor usage	LxWxH: 220 x 120 x 80	117 095 00 721 D	01
LED power unit, 90W, 700mA with high protection rating IP65 for outdoor usage	LxWxH: 220 x 120 x 80	117 095 00 721	01

01