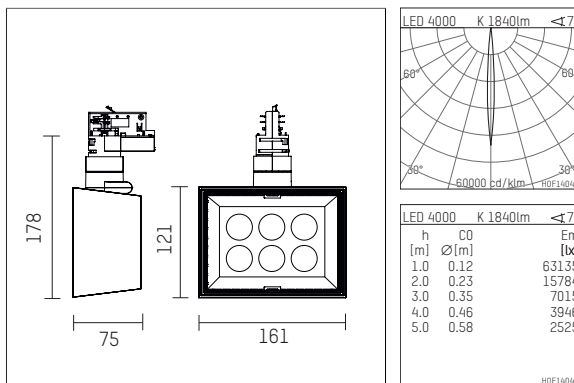




123 121 04 721 | black

li.co
spotlight
LED | 21 W 4000 K



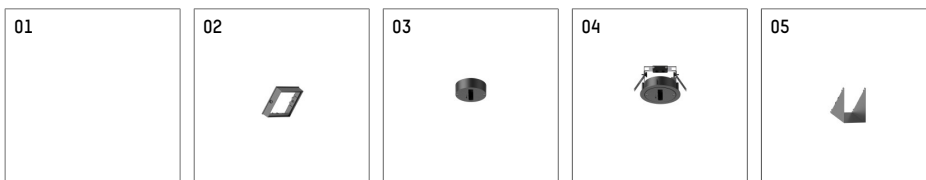
- spotlight li.co
- with 3 circuit universal adapter
- for Hoffmeister control.x tracks
- circuit selection is possible while adapter is inserted into the track
- passive thermo management
- with LED 2150 lm
- colour temperature: 4000 K
- colour rendering index: CRI >80
- L90 / B10 (50.000h)
- SDCM < 2
- net luminous flux: 1840 lm
- total load: 21 W
- luminous efficacy: 87,6 lm/W
- rotationsymmetrical light distribution, narrow spot
- beam angle: 7°
- with built in LED power unit, electronic, 220-240 V, 0/50/60 Hz
- temperature-controlled LED circuit board (NTC)
- amplitude dimming
- integrated potentiometer
- dimming range: 100-1 %
- housing of die cast aluminium
- adapter of fibreglass reinforced thermoplastic
- length: 75 mm, width: 161 mm, height: 178 mm
- rotatable 360°, 90° tiltable
- weight: 1,18 kg
- protection rating: IP20
- protection class I
- 5 years Hoffmeister warranty
- Made in Germany
- maximum ambient temperature: 35 ° C
- certificates: manufactured according to DIN VDE 0711 / EN 60598, CE
- colour: black
- 123 121 04 721

- Overview of accessories on the following page / s

123 121 04 721
accessory

Optional accessories

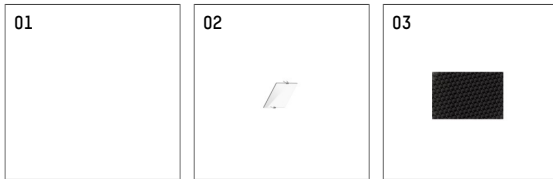
| description accessory general | dimensions in mm | item number | pic.-No. |
|---|------------------|----------------|----------|
| filter holder suitable for attachment of foils for spotlights li.co | | 123 130 00 721 | 01 |
| accessory frame suitable for attachment of accessories for spotlights li.co | H: 27 | 123 110 00 721 | 02 |
| adapter socket, 3-Phasen Ausführung für Deckenaufbaumontage for Hoffmeister spotlights with 3-circuit adapter | ØxH: 101 x 31 | 110 035 00 721 | 03 |
| adapter socket, 3-Phasen Ausführung für Deckeneinbaumontage for Hoffmeister spotlights with 3-circuit adapter | Ø: 130 | 110 036 00 721 | 04 |
| accessory frame, with cell louver 6-fold for spotlights li.co | | 123 141 00 721 | 01 |
| visor for spotlights li.co | | 123 140 00 721 | 05 |



Additional optional accessory components

| description accessory general | dimensions in mm | item number | pic.-No. |
|--|------------------|----------------|----------|
| light shaping diffuser foil, flood for spotlights li.co | | 123 133 00 000 | 01 |
| light shaping diffuser foil, medium for spotlights li.co | | 123 132 00 000 | 01 |
| light shaping diffuser foil, oval flood horizontal for spotlights li.co | | 123 134 00 000 | 01 |
| light shaping diffuser foil, oval flood vertically for spotlights li.co | | 123 135 00 000 | 01 |
| light shaping diffuser foil, soft for spotlights li.co | | 123 131 00 000 | 01 |
| soft.spot lens for spotlights li.co | | 123 115 00 000 | 02 |
| soft.shape lens for spotlights li.co | | 123 112 00 000 | 02 |
| wide-flood Prismatic for spotlights li.co | | 123 113 00 000 | 02 |
| prismatic horizontal for spotlights li.co | | 123 111 00 000 | 02 |
| prismatic vertically for spotlights li.co | | 123 117 00 000 | 01 |
| honeycomb louver for Spotlight li.co | | 123 116 00 721 | 03 |

123 121 04 721
accessory



Possible optional accessories combinations

| item number | 123 111 00 000 | 123 112 00 000 | 123 113 00 000 | 123 115 00 000 | 123 116 00 721 | 123 117 00 000 | 123 131 00 000 | 123 132 00 000 | 123 133 00 000 | 123 134 00 000 | 123 135 00 000 |
|----------------|----------------|----------------|----------------|----------------|----------------|----------------|----------------|----------------|----------------|----------------|----------------|
| 123 130 00 721 | | | | | | | X | X | X | X | X |
| 123 110 00 721 | X | X | X | X | X | X | | | | | |
| 110 035 00 721 | | | | | | | | | | | |
| 110 036 00 721 | | | | | | | | | | | |
| 123 141 00 721 | | | | | | | | | | | |
| 123 140 00 721 | | | | | | | | | | | |