

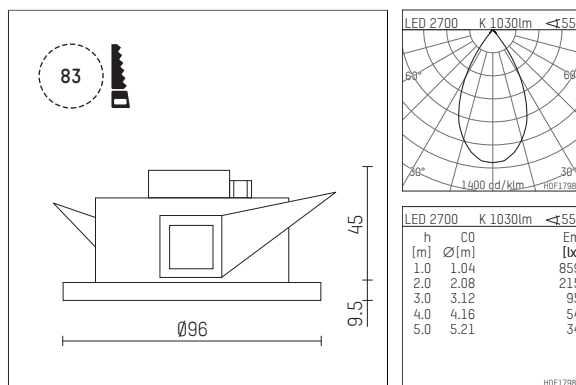


124 605 02 906 | silver

DL 100 | IP65

downlight

LED COB | 16 W 2700 K



- downlight DL 100 IP65
- with a rim projecting over the ceiling
- for installation into suspended ceilings or casting drums
- with LED COB 1380 lm
- colour temperature: 2700 K
- colour rendering index: CRI >90
- L90 / B10 (50.000h)
- SDCM < 2
- net luminous flux: 1030 lm
- total load: 16 W
- luminous efficacy: 64,4 lm/W
- rotationsymmetrical light distribution, flood
- beam angle: 55 °
- UGR: 19
- with external LED power unit, electronic, 220-240 V, 0/50/60 Hz
- power supply: accessory for through-wiring 2x5x2,5 mm²
- housing of die cast aluminium
- microprismatic filter with very high rate of light transmission
- ceiling trim of thermoplastic
- height: 45 mm
- diameter: 96 mm, recessing diameter: 83 mm
- recessing depth: 67 mm, ceiling thickness: max. 25 mm
- weight: 0,64 kg
- protection rating: IP65 (control gear IP20)
- protection class II
- 5 years Hoffmeister warranty
- Made in Germany
- maximum ambient temperature: 40 ° C
- certificates: manufactured according to DIN VDE 0711 / EN 60598, CE
- colour: silver
- 124 605 02 906

- Overview of accessories on the following page / s

124 605 02 906
accessory

Optional accessories

| description accessory general | dimensions in mm | item number | pic.-No. |
|---|------------------|-------------|----------|
| IP65 box for LED-Power unit Without power unit (included with DL100 downlight)The recessing depth of the downlight increases(please refer to the mounting instruction for correct values) | | 107174 | 01 |

