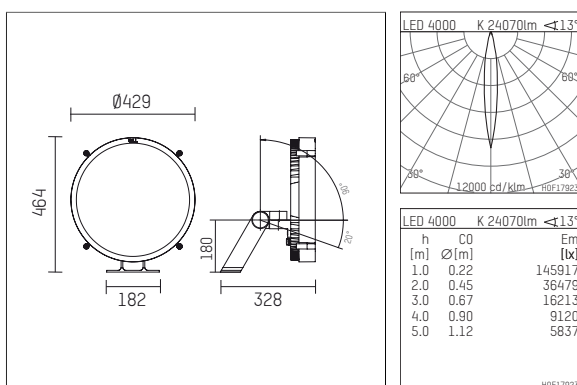




14L1250NWCE916 | silver

14L
projector
LED | 250 W 4000 K



- projector 14L
- for wall-, ground and ceiling mounting
- power supply and mounting bracket must be ordered separately
- with LED 33650 lm
- colour temperature: 4000 K
- colour rendering index: CRI >75
- L80 / B10 (50.000h)
- SDCM < 3
- net luminous flux: 24070 lm
- total load: 250 W
- luminous efficacy: 96,3 lm/W
- spot
- beam angle: 15 °
- for external power supply, integrated control unit (DMX)
- 48V DC
- control ON/OFF, DMX
- secondary connection:
 - with two connection cables length 500mm and circular connector 2-pole supply (type: RST16i5 for 48V (Wieland), RST16i3 for DMX (Wieland))
- housing of die cast aluminium
- safety glass, clear
- length: 328 mm, width: 429 mm, height: 464 mm
- windage area: 0,15 m²
- weight: 9,823 kg
- protection rating: IP65
- protection class III
- 5 years warranty
- designed and manufactured in Germany
- impact resistance class: IK08
- certificates: manufactured according to DIN VDE 0711 / EN 60598, CE
- colour: silver (RAL9006)
- 14L1250NWCE916

- Overview of accessories on the following page / s

14L1250NWCE916

accessory**Required accessories**

description accessory general	dimensions in mm	item number	pic.-No.
LED power unit IP67, 48V / 320W for projector 14L for outdoor usage	LxWxH: 251 x 90 x 44	814L25000	01
Pivoting bracket for projector 14L		814L0010H916	02
Standard bracket for projector 14L		814L00100916	03

**Optional accessories**

description accessory general	dimensions in mm	item number	pic.-No.
Screen 45° for projector 14L		814L00545916	01

