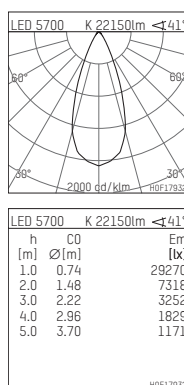
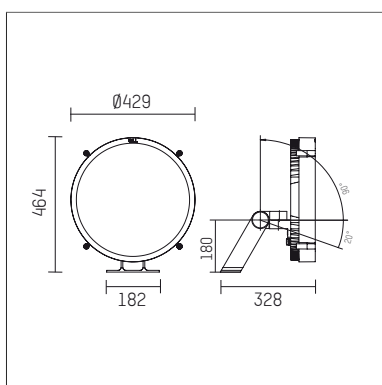




14L3250KWCE916 | silver

14L
projector
LED | 250 W 5700 K



- projector 14L
- for wall-, ground and ceiling mounting
- power supply and mounting bracket must be ordered separately
- with LED 33250 lm
- colour temperature: 5700 K
- colour rendering index: CRI >70
- L80 / B10 (50.000h)
- SDCM < 3
- net luminous flux: 22150 lm
- total load: 250 W
- luminous efficacy: 88,6 lm/W
- flood
- beam angle: 40 °
- for external power supply, integrated control unit (DMX)
- 48V DC
- control ON/OFF, DMX
- secondary connection:
 - with two connection cables length 500mm and circular connector 2-pole supply (type: RST16i5 for 48V (Wieland), RST16i3 for DMX (Wieland))
- housing of die cast aluminium
- safety glass, clear
- length: 328 mm, width: 429 mm, height: 464 mm
- windage area: 0,15 m²
- weight: 9,823 kg
- protection rating: IP65
- protection class III
- 5 years warranty
- designed and manufactured in Germany
- impact resistance class: IK08
- certificates: manufactured according to DIN VDE 0711 / EN 60598, CE
- colour: silver (RAL9006)
- 14L3250KWCE916

- Overview of accessories on the following page / s

14L3250KWCE916

accessory**Required accessories**

| description accessory general | dimensions in mm | item number | pic.-No. |
|---|----------------------|--------------|----------|
| LED power unit IP67, 48V / 320W for projector 14L for outdoor usage | LxWxH: 251 x 90 x 44 | 814L25000 | 01 |
| Pivoting bracket for projector 14L | | 814L0010H916 | 02 |
| Standard bracket for projector 14L | | 814L00100916 | 03 |

**Optional accessories**

| description accessory general | dimensions in mm | item number | pic.-No. |
|---------------------------------|------------------|--------------|----------|
| Screen 45° for projector 14L | | 814L00545916 | 01 |

