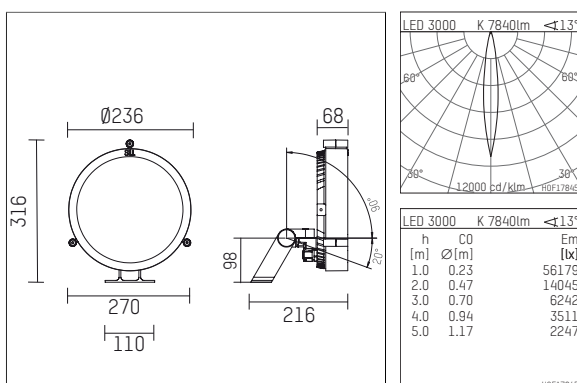




14M1104WWCE916 | silver

14M
projector
LED | 100 W 3000 K



- projector 14M
- for wall-, ground and ceiling mounting
- power supply and mounting bracket must be ordered separately
- with LED 12730 lm
- colour temperature: 3000 K
- colour rendering index: CRI >80
- L80 / B10 (50.000h)
- SDCM < 3
- net luminous flux: 7840 lm
- total load: 100 W
- luminous efficacy: 78,4 lm/W
- spot
- beam angle: 15 °
- for external power supply, integrated control unit (DMX)
- 48V DC
- control ON/OFF, DMX
- secondary connection:
 - with two connecting cables 500mm for DMX and one connecting cable 500mm for 48V DC (type: including Wieland RST16 connector system)
- housing of die cast aluminium
- safety glass, clear
- length: 216 mm, width: 270 mm, height: 316 mm
- windage area: 0,05 m²
- weight: 3,66 kg
- protection rating: IP65
- protection class III
- 5 years warranty
- designed and manufactured in Germany
- impact resistance class: IK07
- certificates: manufactured according to DIN VDE 0711 / EN 60598, CE
- colour: silver (RAL9006)
- 14M1104WWCE916

- Overview of accessories on the following page / s

14M1104WWCE916 accessory

Required accessories

description accessory general	dimensions in mm	item number	pic.-No.
LED power unit IP67, 48V / 120W for 1x projector 14M for outdoor usage		814M14800	01
LED power unit IP67, 48V / 240W for 2x projector 14M for outdoor usage		814M24800	01
LED power unit IP67, 48V / 320W for 3x projector 14M for outdoor usage		814M34800	01
Pivoting bracket for projector 14M		814M0010H916	02
Standard bracket for projector 14M		814M00100916	03
Edged bracket for projector 14M		814M0010B916	04



Optional accessories

description accessory general	dimensions in mm	item number	pic.-No.
prismatic glass, diameter 263mm for projectors 14M		814M02300	01
Gimbal mounting for projector 14M		814M0010K916	02
tube screen length 120mm for projector 02M and 14M		814M05000916	03
Screen 45° length 290mm for projector 02M and 14M		814M04000916	04

