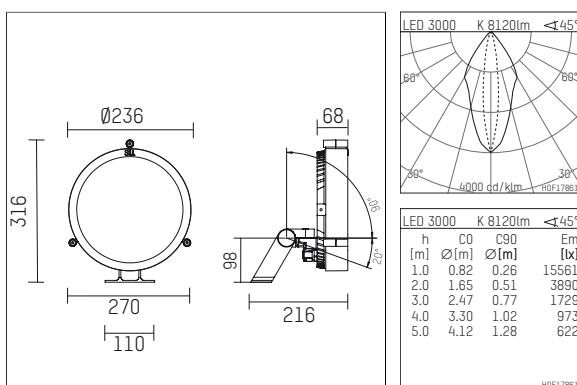




14M5104WWDE916 | silver

14M
projector
LED | 100 W 3000 K



- projector 14M
- for wall-, ground and ceiling mounting
- power supply and mounting bracket must be ordered separately
- with LED 12730 lm
- colour temperature: 3000 K
- colour rendering index: CRI >80
- L80 / B10 (50.000h)
- SDCM < 3
- net luminous flux: 8120 lm
- total load: 100 W
- luminous efficacy: 81,2 lm/W
- oval flood horizontal, oval flood
- 15° x 57°
- for external power supply, integrated control unit (DALI)
- 48V DC
- control ON/OFF, DALI
- secondary connection:
 - with connection cable length 500mm and circular connector 4-pole (type: RST16i5 for 48V and DALI (Wieland))
- housing of die cast aluminium
- safety glass, clear
- length: 216 mm, width: 270 mm, height: 316 mm
- windage area: 0,05 m²
- weight: 3,66 kg
- protection rating: IP65
- protection class II
- 5 years warranty
- designed and manufactured in Germany
- impact resistance class: IK07
- certificates: manufactured according to DIN VDE 0711 / EN 60598, CE
- colour: silver (RAL9006)
- 14M5104WWDE916

- Overview of accessories on the following page / s

14M5104WWDE916

accessory

Required accessories

| description accessory general | dimensions in mm | item number | pic.-No. |
|--|------------------|--------------|----------|
| LED power unit IP67, 48V / 120W for 1x projector 14M for outdoor usage | | 814M14800 | 01 |
| LED power unit IP67, 48V / 240W for 2x projector 14M for outdoor usage | | 814M24800 | 01 |
| LED power unit IP67, 48V / 320W for 3x projector 14M for outdoor usage | | 814M34800 | 01 |
| Pivoting bracket for projector 14M | | 814M0010H916 | 02 |
| Standard bracket for projector 14M | | 814M0010O916 | 03 |
| Edged bracket for projector 14M | | 814M0010B916 | 04 |



Optional accessories

| description accessory general | dimensions in mm | item number | pic.-No. |
|--|------------------|--------------|----------|
| Gimbal mounting for projector 14M | | 814M0010K916 | 01 |
| tube screen length 120mm for projector 02M and 14M | | 814M05000916 | 02 |
| Screen 45° length 290mm for projector 02M and 14M | | 814M04000916 | 03 |

