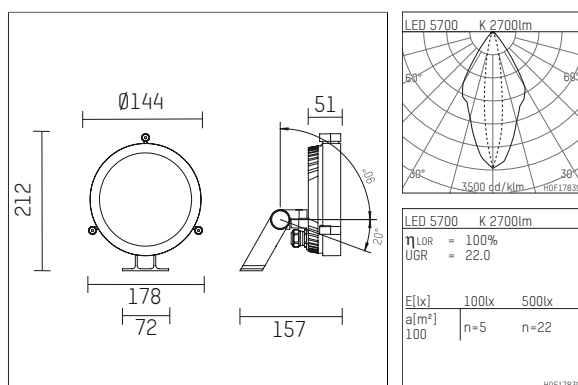




14S5030KWCE916 | silver

14S
projector
LED | 30 W 5700 K



- projector 14S
- for wall-, ground and ceiling mounting
- power supply and mounting bracket must be ordered separately
- with LED 4360 lm
- colour temperature: 5700 K
- colour rendering index: CRI >80
- L80 / B10 (50.000h)
- SDCM < 3
- net luminous flux: 2700 lm
- total load: 30 W
- luminous efficacy: 90,0 lm/W
- oval flood horizontal, oval flood
- 15° x 57°
- for external power supply, integrated control unit (DMX)
- 24V DC
- control ON/OFF, DMX
- secondary connection:
 - with two connecting cables 500mm for DMX and one connecting cable 500mm for 48V DC (type: including Wieland RST16 connector system)
- housing of die cast aluminium
- safety glass, clear
- length: 157 mm, width: 178 mm, height: 212 mm
- windage area: 0,03 m²
- weight: 1,66 kg
- protection rating: IP65
- protection class III
- 5 years warranty
- designed and manufactured in Germany
- impact resistance class: IK08
- certificates: manufactured according to DIN VDE 0711 / EN 60598, CE
- colour: silver (RAL9006)
- 14S5030KWCE916

- Overview of accessories on the following page / s

14S5030KWCE916

accessory**Required accessories**

description accessory general	dimensions in mm	item number	pic.-No.
LED power unit IP67, 24V / 40W for projector 14S for outdoor usage	LxWxH: 171 x 62 x 37	814S03000	01
Pivoting bracket for projector 14S		814S0010H916	02
Standard bracket for projector 14S		814S00100916	03

**Optional accessories**

description accessory general	dimensions in mm	item number	pic.-No.
Screen 45° length 165mm for projector 02S and 14S		814S04000916	01
tube screen length 71mm for projector 02S and 14S		814S05000916	02

