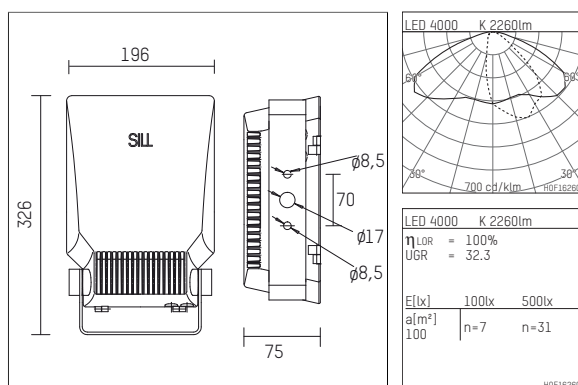
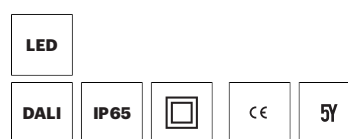




1509020NW01-1D | silver

150
plane projector
LED | 20 W 4000 K



- plane projector 150
- with mounting bracket
- for wall-, ground-, pole or ceiling mounting
- with LED 2840 lm
- colour temperature: 4000 K
- colour rendering index: CRI >80
- L90 / B10 (100.000 / ta 25°C)
- SDCM < 3
- net luminous flux: 2260 lm
- total load: 20 W
- luminous efficacy: 113,0 lm/W
- bidirectional light distribution
- with built in LED power unit, electronic (DALI), 220-240 V, 0/50/60 Hz
- including thermal protection for driver and LED module
- optional DC voltage suitable (AC/DC) - 15% power for operation in emergency lighting systems
- further dimming functions on request
- amplitude dimming
- dimming range: 100-10 %
- Number of luminaires per fuse (B16): 48
- power supply: connecting terminal 5x2,5 mm²
- M20 cable gland for cables 8-13 mm
- housing of die cast aluminium
- safety glass, clear
- length: 326 mm, width: 196 mm, height: 75 mm
- pivot range +120°/-90°
- windage area: 0,10 m²
- weight: 3,3 kg
- protection rating: IP65
- protection class II
- 5 years warranty
- designed and manufactured in Germany
- minimum ambient temperature: -40 °C
- maximum ambient temperature: 45 °C
- impact resistance class: IK06
- certificates: manufactured according to DIN VDE 0711 / EN 60598, CE
- colour: silver (RAL9006)
- 1509020NW01-1D

- - -