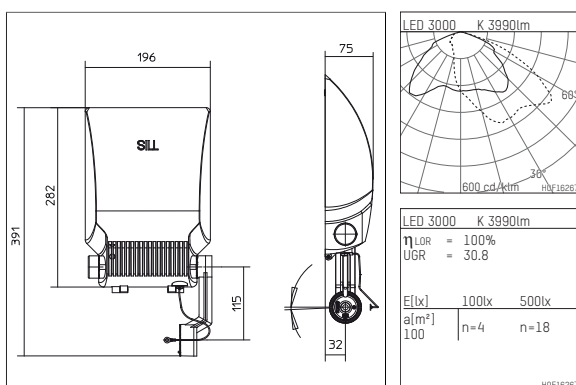
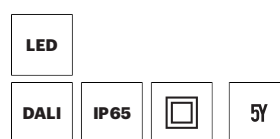




1516040WW02-1D | silver

151
plane projector
LED | 40 W 3000 K



- plane projector 151
- with adjustable mounting arm
- for mounting to column top or wall bracket
- mounting devices must be ordered separately
- with LED 5470 lm
- colour temperature: 3000 K
- colour rendering index: CRI >80
- L90 / B10 (100.000 / ta 25°C)
- SDCM < 3
- net luminous flux: 3990 lm
- total load: 40 W
- luminous efficacy: 99,8 lm/W
- asymmetrical light distribution, wide beam
- with built in LED power unit, electronic (DALI), 220-240 V, 0/50/60 Hz
- including thermal protection for driver and LED module
- optional DC voltage suitable (AC/DC) - 15% power for operation in emergency lighting systems
- further dimming functions on request
- dimming range: 100-10 %
- Number of luminaires per fuse (I): 30
- power supply: supply cord, silicone 4x1 mm², Length: 600 mm
- supply cord hidden in mounting arm; M20 cable gland for cables 8-13 mm
- housing of die cast aluminium
- safety glass, clear
- glass can be hinged opened by releasing two captive screws
- with additional safety cable
- length: 391 mm, width: 196 mm, height: 75 mm
- pivot range +120°/-45°
- windage area: 0,10 m²
- weight: 3,3 kg
- protection rating: IP65
- protection class II
- 5 years warranty
- designed and manufactured in Germany
- minimum ambient temperature: -40 °C
- maximum ambient temperature: 45 °C
- impact resistance class: IK06
- certificates: manufactured according to DIN VDE 0711 / EN 60598
- colour: silver (RAL9006)
- 1516040WW02-1D

- - -

1516040WW02-1D

accessory**Required accessories**

description accessory general	dimensions in mm	item number	pic.-No.
pole attachment, for lateral mounting arm \varnothing 76mm for projector series 151 and 154		845400600	01
pole attachment, for lateral mounting arm \varnothing 60mm for projector series 151 and 154		845400800	01
pole attachment, for lateral mounting arm \varnothing 90mm for projector series 151 and 154		845400400	01
pole attachment, for lateral mounting arm \varnothing 114mm for projector series 151 and 154		845400500	01
Column top, for column diameter 60mm for projector series 151 and 154		845400160D	02
Column top, for column diameter 76mm for projector series 151 and 154		845400176D	02
Wall and ceiling holder for projector series 151 and 154		845400300D	03

