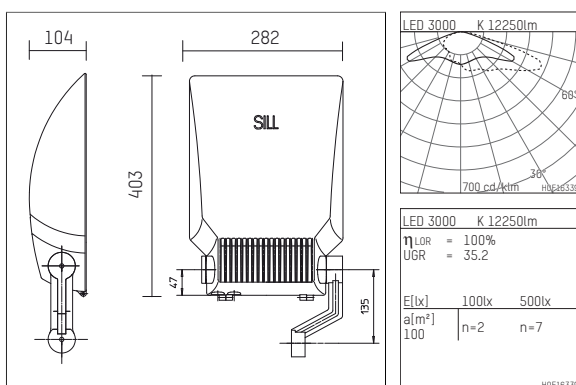




## 1545120WW08-1D | silver

154  
plane projector  
LED | 120 W 3000 K



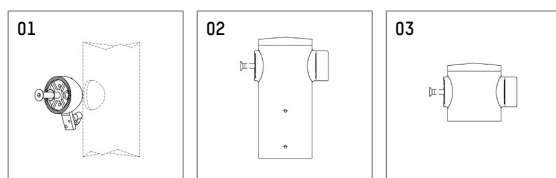
- plane projector 154
- with adjustable mounting arm
- for mounting to column top or wall bracket
- mounting devices must be ordered separately
- with LED 17760 lm
- colour temperature: 3000 K
- colour rendering index: CRI >80
- L90 / B10 (100.000 / ta 25°C)
- SDCM < 3
- net luminous flux: 12250 lm
- total load: 120 W
- luminous efficacy: 102,1 lm/W
- asymmetrical light distribution, deep
- with built in LED power unit, electronic (DALI), 220-240 V, 0/50/60 Hz
- including thermal protection for driver and LED module
- optional DC voltage suitable (AC/DC) - 15% power for operation in emergency lighting systems
- further dimming functions on request
- amplitude dimming
- Number of luminaires per fuse (B16): 7
- power supply: 5-pole supply cord 1 mm<sup>2</sup>
- connection cable 0,6 m concealed in mounting arm
- corrosion resistant aluminium housing AlSi12
- safety glass, clear
- glass can be hinged opened by releasing two captive screws
- with additional safety cable
- length: 403 mm, width: 282 mm, height: 104 mm
- pivot range +120°/-45°
- windage area: 0,04 m<sup>2</sup>
- weight: 5,9 kg
- protection rating: IP65
- protection class I
- 5 years warranty
- designed and manufactured in Germany
- minimum ambient temperature: -40 °C
- maximum ambient temperature: 25 °C
- impact resistance class: IK08
- certificates: manufactured according to DIN VDE 0711 / EN 60598
- colour: silver (RAL9006)
- 1545120WW08-1D

- Overview of accessories on the following page / s

1545120WW08-1D  
**accessory**

### Required accessories

| description accessory general  | dimensions in mm | item number | pic.-No. |
|--|------------------|-------------|----------|
| pole attachment, for lateral mounting arm $\varnothing$ 76mm for projector series 151 and 154  |                  | 845400600   | 01       |
| pole attachment, for lateral mounting arm $\varnothing$ 60mm for projector series 151 and 154  |                  | 845400800   | 01       |
| pole attachment, for lateral mounting arm $\varnothing$ 90mm for projector series 151 and 154  |                  | 845400400   | 01       |
| pole attachment, for lateral mounting arm $\varnothing$ 114mm for projector series 151 and 154 |                  | 845400500   | 01       |
| Column top, for column diameter 60mm for projector series 151 and 154                          |                  | 845400160D  | 02       |
| Column top, for column diameter 76mm for projector series 151 and 154                          |                  | 845400176D  | 02       |
| Wall and ceiling holder for projector series 151 and 154                                       |                  | 845400300D  | 03       |



### Optional accessories

| description accessory general                                    | dimensions in mm | item number | pic.-No. |
|--|------------------|-------------|----------|
| Screen with louvres, vertical for projector series 153 and 154   | LxH: 419 x 272   | 845301000   | 01       |
| Screen with louvres, horizontal for projector series 153 and 154 | LxH: 419 x 272   | 845300900   | 02       |
| Bird deterrent for plane projectors 153/154                      |                  | 845300700   | 03       |
| protective grid for plane projectors 153/154                     |                  | 845400700   | 04       |

