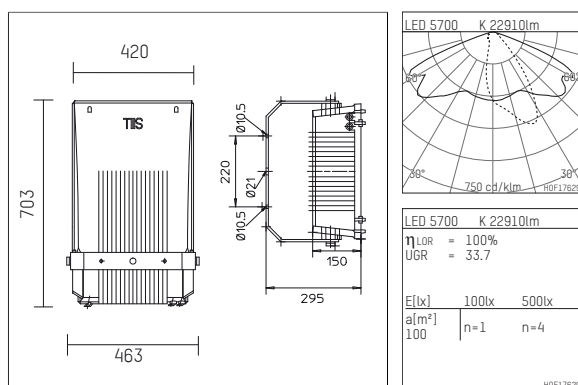




## 1559200KW12-2D | unpainted

155  
plane projector  
LED | 200 W 5700 K



- plane projector 155
- with mounting bracket
- for wall-, ground or pole-mounting
- with LED 30550 lm
- colour temperature: 5700 K
- colour rendering index: CRI >80
- L90 / B10 (100.000 / ta 25°C)
- SDCM < 3
- net luminous flux: 22910 lm
- total load: 200 W
- luminous efficacy: 114,6 lm/W
- bidirectional light distribution
- with two integrated power units, electronic (DALI), 220-240 V, 0/50/60 Hz
- including thermal protection for driver and LED module
- optional DC voltage suitable (AC/DC) - 15% power for operation in emergency lighting systems
- further dimming functions on request
- Number of luminaires per fuse (B16): 10
- power supply: connecting terminal 5x2,5 mm<sup>2</sup>
- loop-in loop-out capable, for cable diameter 8-12mm
- corrosion resistant aluminium housing AlSi12
- safety glass, clear
- length: 703 mm, width: 420 mm, height: 150 mm
- pivot range +153°/-142°
- windage area: 0,10 m<sup>2</sup>
- weight: 19 kg
- protection rating: IP65
- protection class I
- 5 years warranty
- designed and manufactured in Germany
- minimum ambient temperature: -40 °C
- maximum ambient temperature: 35 °C
- impact resistance class: IK08
- certificates: manufactured according to DIN VDE 0711 / EN 60598, CE
- colour: unpainted
- 1559200KW12-2D

- Overview of accessories on the following page / s

1559200KW12-2D  
**accessory**

### Optional accessories

| description accessory general  | dimensions in mm | item number | pic.-No. |
|--|------------------|-------------|----------|
| Column top, for 1 plane projector without mounting bracket and with column diameter 102 mm<br>for plane projectors 155       | L: 750           | 84551000    | 01       |
| Column top, for 2 plane projectors 90° without mounting bracket and with column diameter 102 mm<br>for plane projectors 155  | L: 750           | 84552090    | 02       |
| Column top, for 2 plane projectors 180° without mounting bracket and with column diameter 102 mm<br>for plane projectors 155 | L: 750           | 84552180    | 03       |
| Column top, for 3 plane projectors 90° without mounting bracket and with column diameter 102 mm<br>for plane projectors 155  | L: 750           | 84553090    | 04       |
| Column top, for 3 plane projectors 120° without mounting bracket and with column diameter 102 mm<br>for plane projectors 155 | L: 750           | 84553120    | 05       |
| Column top, for 4 plane projectors 90° without mounting bracket and with column diameter 102 mm<br>for plane projectors 155  | L: 750           | 84554090    | 06       |
| wall bracket, anti-vibration mounting<br>for plane projectors 155  |                  | 845501400   | 07       |
| Traverse bracket, anti-vibration mounting<br>for plane projectors 155  |                  | 845501500   | 08       |
| Traverse attachment, for one projector with column diameter 102 mm<br>for plane projectors 155                               | L: 750           | 84551001    | 09       |
| Traverse attachment, for two projectors with diameter 102 mm<br>for plane projectors 155                                     | L: 750           | 84551002    | 10       |
| Bird deterrent<br>for plane projectors 155   |                  | 845501600   | 11       |
| Four-sided screen<br>for plane projectors serie 155  |                  | 845501000   | 12       |

