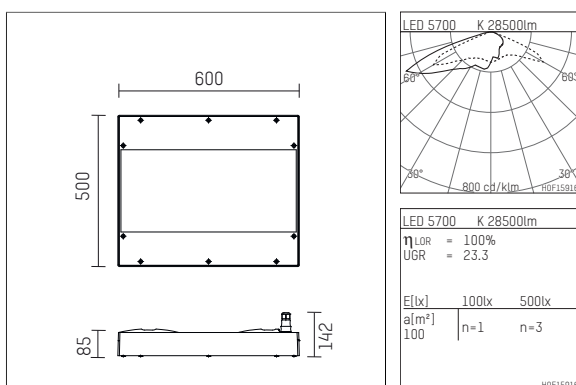
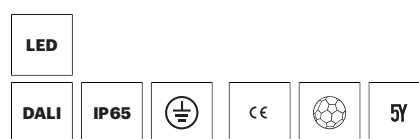




## 1765250KW70D | silver

176  
Industrial luminaire  
LED | 250 W 5700 K



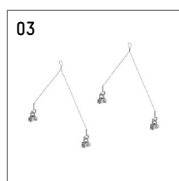
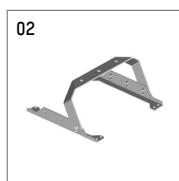
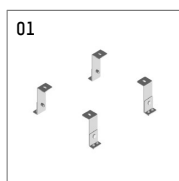
- Industrial luminaire 176
- for ceiling mounting and pendant installation
- mounting devices must be ordered separately
- with LED 30000 lm
- colour temperature: 5700 K
- colour rendering index: CRI >70
- L90 / B10 (100.000 / ta 25°C)
- SDCM < 3
- net luminous flux: 28500 lm
- total load: 250 W
- luminous efficacy: 114,0 lm/W
- asymmetrical light distribution
- 2 integrated LED power units, electronic (DALI), 220-240 V, 0/50/60 Hz
- dimmable 10-100%
- Number of luminaires per fuse (B16): 3
- power supply: plug connector 5x2,5 mm<sup>2</sup>
- Optional loop-in loop-out cabling possible
- housing of die cast aluminium
- safety glass, clear
- with PC cover available on request
- length: 600 mm, width: 500 mm, height: 142 mm
- windage area: 0,30 m<sup>2</sup>
- weight: 19,2 kg
- protection rating: IP65 (IP66 available on request)
- protection class I
- 5 years warranty
- Designed and manufactured in Germany
- minimum ambient temperature: -40 °C
- maximum ambient temperature: 45 °C
- impact resistance class: IK06
- certificates: manufactured according to DIN VDE 0711 / EN 60598, CE, proof against ball impact
- colour: silver (RAL9006)
- 1765250KW70D

- Overview of accessories on the following page / s

1765250KW70D

**accessory****Required accessories**

| description accessory general   | dimensions in mm | item number | pic.-No. |
|---|------------------|-------------|----------|
| Ceiling fixation<br>for series 176  |                  | 817600200   | 01       |
| Pivoting bracket, for wall and ceiling mounting<br>Ball-proof<br>for series 176 |                  | 817600300   | 02       |
| Steelwire suspension, 2xY-FIT, 2x4m<br>for series 176                           |                  | 817600100   | 03       |

**Optional accessories**

| description accessory general  | dimensions in mm | item number | pic.-No. |
|--|------------------|-------------|----------|
| plug connection, RST20i5 for double connection<br>5-pole, 20 A<br>cable diameter 10-14mm with cross section max. 1,5 mm <sup>2</sup> |                  | 817600400   | 01       |

