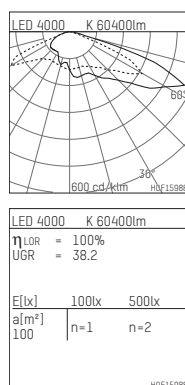
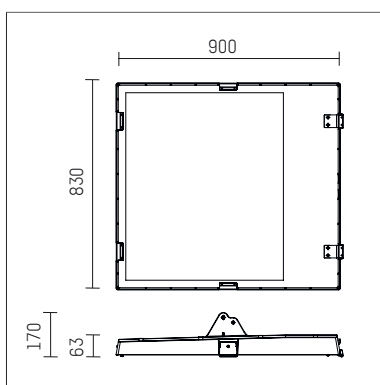
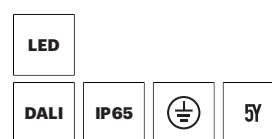




1775450NW70D | unpainted aluminium

177 | 2.0
Arealfooter
LED | 450 W 4000 K



- Arealfooter 177 2.0
- for surface mounted installation on wall or ceiling
- mounting bracket must be ordered separately
- with LED 80000 lm
- colour temperature: 4000 K
- colour rendering index: CRI >70
- L90 / B10 (100.000 / ta 25°C)
- net luminous flux: 60400 lm
- total load: 450 W
- luminous efficacy: 134,2 lm/W
- asymmetrical light distribution
- 3 integrated LED power units, electronic (DALI), 220-240 V, 0/50/60 Hz
- overvoltage protection 10kV; discharge current 5kA
- dimmable 10-100%
- Number of luminaires per fuse (B16): 3
- power supply: plug connector angled 90° RST 20i5 5x2,5 mm²
- Optional loop-in loop-out cabling
- housing of aluminium and die cast aluminium
- safety glas, clear, partially ceramic printed
- length: 900 mm, width: 830 mm, height: 170 mm
- windage area: 0,75 m²
- weight: 37,2 kg
- protection rating: IP65
- protection class I
- 5 years warranty
- designed and manufactured in Germany
- minimum ambient temperature: -40 °C
- maximum ambient temperature: 55 °C
- certificates: manufactured according to DIN VDE 0711 / EN 60598
- colour: unpainted aluminium
- 1775450NW70D

- Overview of accessories on the following page / s

1775450NW70D

accessory**Required accessories**

| description accessory general | dimensions in mm | item number | pic.-No. |
|---|------------------|-------------|----------|
| Ceiling fixation for series 177 | | 817700200 | 01 |
| Mounting bracket, traverse mounting for series 177 | | 817700300 | 02 |
| Mounting bracket, for wall mounting | | 817700400 | 03 |

