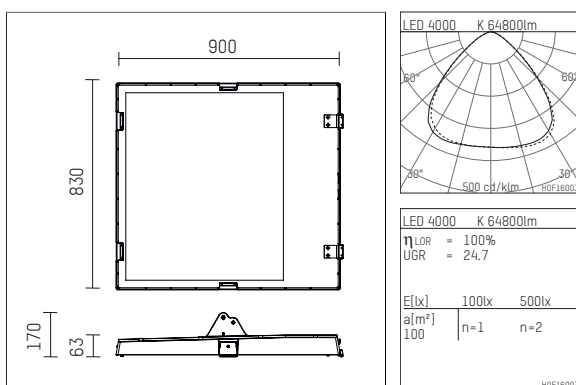
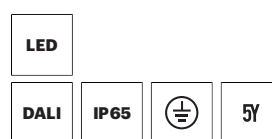




## 177F450NW70D | unpainted aluminium

177 | 2.0  
Arealflooder  
LED | 450 W 4000 K



- Arealflooder 177 2.0
- for surface mounted installation on wall or ceiling
- mounting bracket must be ordered separately
- with LED 80000 lm
- colour temperature: 4000 K
- colour rendering index: CRI >70
- L90 / B10 (100.000 / ta 25°C)
- net luminous flux: 64800 lm
- total load: 450 W
- luminous efficacy: 144,0 lm/W
- symmetrical light distribution, very wide flood
- beam angle: 98 °
- 3 integrated LED power units, electronic (DALI), 220-240 V, 0/50/60 Hz
- overvoltage protection 10kV; discharge current 5kA
- dimmable 10-100%
- Number of luminaires per fuse (B16): 3
- power supply: plug connector 5x2,5 mm<sup>2</sup>
- optional loop-in loop-out cabling
- housing of aluminium and die cast aluminium
- safety glass, clear
- length: 900 mm, width: 830 mm, height: 170 mm
- windage area: 0,75 m<sup>2</sup>
- weight: 37,2 kg
- protection rating: IP65
- protection class I
- 5 years warranty
- designed and manufactured in Germany
- minimum ambient temperature: -40 ° C
- maximum ambient temperature: 55 ° C
- certificates: manufactured according to DIN VDE 0711 / EN 60598
- colour: unpainted aluminium
- 177F450NW70D

- Overview of accessories on the following page / s

177F450NW70D

**accessory****Required accessories**

description accessory general	dimensions in mm	item number	pic.-No.
Ceiling fixation for series 177		817700200	01
Mounting bracket, traverse mounting for series 177		817700300	02
Mounting bracket, for wall mounting		817700400	03

