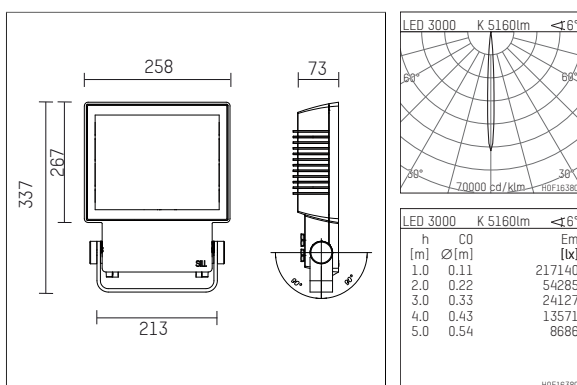




49M1070WWD | black

49M
projector
LED | 70 W 3000 K



- projector 49M
- for wall-, ground or pole-mounting
- with pivoting mounting bracket
- with LED 6500 lm
- colour temperature: 3000 K
- colour rendering index: CRI >80
- L80 / B10 (50.000h)
- SDCM < 3
- net luminous flux: 5160 lm
- total load: 70 W
- luminous efficacy: 73,7 lm/W
- rotationsymmetrical light distribution, narrow spot
- beam angle: 6 °
- with built in LED power unit, electronic (DALI), 220-240 V, 0/50/60 Hz
- including thermal protection for driver and LED module
- overvoltage protection 6KV
- optional DC voltage suitable (AC/DC) - 15% power for operation in emergency lighting systems
- further dimming functions on request
- amplitude dimming
- dimming range: 100-10 %
- Number of luminaires per fuse (B16): 10
- power supply: connecting terminal 5x2,5 mm²
- 2xM20 cable gland for cables 8-12mm, mains loop-in loop-out capable
- corrosion resistant aluminium housing AlSi12
- safety glass, clear
- length: 337 mm, width: 258 mm, height: 73 mm
- ± 90° tiltable
- windage area: 0,08 m²
- weight: 5,2 kg
- protection rating: IP65
- protection class I
- 5 years warranty
- designed and manufactured in Germany
- minimum ambient temperature: -40 ° C
- maximum ambient temperature: 55 ° C
- impact resistance class: IK08
- certificates: manufactured according to DIN VDE 0711 / EN 60598
- colour: black (RAL9005)
- 49M1070WWD

- Overview of accessories on the following page / s

49M1070WWD
accessory

Optional accessories

| description accessory general | dimensions in mm | item number | pic.-No. |
|-----------------------------------------------------------------------------------------------------------------------------------------|------------------|----------------|----------|
| Wire guard for projector 49M and 48M | | 849M00100 | 01 |
| Four-sided screen for projector 49M and 48M | | 849M00200 | 02 |
| Horizontal screen, with adjustable blades for projector 49M and 48M | | 849M00300 | 03 |
| Vertical screen, with adjustable blades for projector 49M | | 849M00400 | 04 |
| Three-sided screen for projector 49M and 48M | | 849M00500 | 05 |
| Screen-doors with 12 opening blades for projector 49M and 48M | | 849M00700 | 06 |
| frosted glass, for diffusing for projector 49M and 48M | | 849M02100 | 07 |
| Screen doors with 4 opening blades for projector 49M and 48M | | 849M00600 | 08 |
| honeycomb louver for projector 49M and 48M | | 849M02000 | 09 |
| Clear glass partially frosted, for diffusing the upper or lower part of light emission for projector 49M and 48M | | 849M02200 | 10 |
| Grooved glass horizontal, type 555 B for projector 49M und 48M | | 849M02300 | 11 |
| Grooved glass vertical, type 555 B for projector 49M and 48M | | 849M02400 | 12 |
| Structured glass Albarino S, Fine structure for diffusion, light transmission 91,5% for projector 49M and 48M | | 849M02600 | 13 |
| Conversion filter neutral, Raises the colour temperature from 3000K to 3650K for projector 49M and 48M | | 849M03100 | 14 |
| Conversion filter warm, Lowers the colour temperature from 3000K to 2600K for projector 49M and 48M | | 849M03000 | 15 |
| Conversion filter daylight, Raises the colour temperature from 3000K to 4450K and from 5700K to 14.500K for projector 49M and 48M | | 849M03200 | 16 |
| Mounting bracket, vibration damping for projector 49M and 48M | | 849M01000 | 17 |
| Wall outrigger arm, L=0,5m for projector 49S/49M and 48S/48M | | 849000500 | 18 |
| Column mounting bracket black, for column diameters 80-120 mm for projector 49S/49M and 48S/48M | | 849000700 | 19 |
| Column clamp stainless steel v2a / hot galvanized, for column diameters 115-120 mm | | 855500 200-120 | 20 |
| Column clamp stainless steel v2a / hot galvanized, for column diameters 150-170 mm | | 855500 200-170 | 20 |
| Column clamp stainless steel v2a / hot galvanized, for column diameters 55-60 mm | | 855500 200-60 | 20 |
| Column clamp stainless steel v2a / hot galvanized, for column diameters 60-89 mm | | 855500 200-89 | 20 |

49M1070WWD accessory

Optional accessories

| description accessory general | dimensions in mm | item number | pic.-No. |
|----------------------------------------------------------------------------------|------------------|---------------|----------|
| Column clamp stainless steel v2a / hot galvanized, for column diameters 85-92 mm | | 855500 200-92 | 20 |
| Ground Spike, L=300mm for projector series 49S/M and 48S/M | | 849000900 | 21 |

