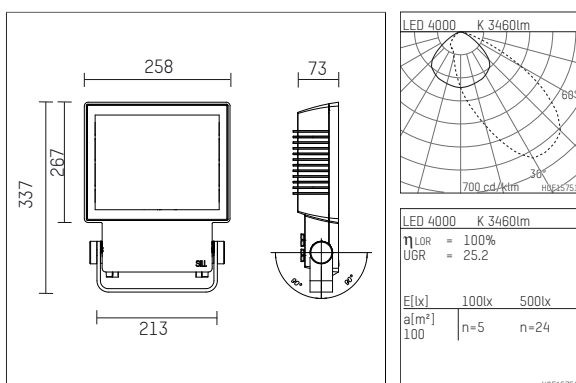




## 49M5070NWD | black

49M  
Projector asymmetrical  
LED | 70 W 4000 K



- Projector asymmetrical 49M
- for wall-, ground or pole-mounting
- with pivoting mounting bracket
- with LED 7600 lm
- colour temperature: 4000 K
- colour rendering index: CRI >80
- L80 / B10 (50.000h)
- SDCM < 3
- net luminous flux: 3460 lm
- total load: 70 W
- luminous efficacy: 49,4 lm/W
- asymmetrical light distribution
- with built in LED power unit, electronic (DALI), 220-240 V, 0/50/60 Hz
- including thermal protection for driver and LED module
- overvoltage protection 6KV
- optional DC voltage suitable (AC/DC) - 15% power for operation in emergency lighting systems
- further dimming functions on request
- amplitude dimming
- dimming range: 100-10 %
- Number of luminaires per fuse (B16): 10
- power supply: connecting terminal 5x2,5 mm<sup>2</sup>
- 2xM20 cable gland for cables 8-12mm, mains loop-in loop-out capable
- corrosion resistant aluminium housing AISi12
- safety glass, clear
- length: 337 mm, width: 258 mm, height: 73 mm
- $\pm 90^\circ$  tiltable
- windage area: 0,08 m<sup>2</sup>
- weight: 5,2 kg
- protection rating: IP65
- protection class I
- 5 years warranty
- designed and manufactured in Germany
- minimum ambient temperature: -40 ° C
- maximum ambient temperature: 55 ° C
- impact resistance class: IK08
- certificates: manufactured according to DIN VDE 0711 / EN 60598
- colour: black (RAL9005)
- 49M5070NWD

- Overview of accessories on the following page / s

49M5070NWD  
accessory

## Optional accessories

description accessory general	dimensions in mm	item number	pic.-No.
Wire guard for projector 49M and 48M		849M00100	01
Four-sided screen for projector 49M and 48M		849M00200	02
Horizontal screen, with adjustable blades for projector 49M and 48M		849M00300	03
Vertical screen, with adjustable blades for projector 49M		849M00400	04
Three-sided screen for projector 49M and 48M		849M00500	05
Screen-doors with 12 opening blades for projector 49M and 48M		849M00700	06
honeycomb louver for projector 49M and 48M		849M02000	07
Screen doors with 4 opening blades for projector 49M and 48M		849M00600	08
frosted glass, for diffusing for projector 49M and 48M		849M02100	09
Clear glass partially frosted, for diffusing the upper or lower part of light emission for projector 49M and 48M		849M02200	10
Structured glass Albarino S, Fine structure for diffusion, light transmission 91,5% for projector 49M and 48M		849M02600	11
Grooved glass vertical, type 555 B for projector 49M and 48M		849M02400	12
Grooved glass horizontal, type 555 B for projector 49M und 48M		849M02300	13
Conversion filter neutral, Raises the colour temperature from 3000K to 3650K for projector 49M and 48M		849M03100	14
Conversion filter warm, Lowers the colour temperature from 3000K to 2600K for projector 49M and 48M		849M03000	15
Conversion filter daylight, Raises the colour temperature from 3000K to 4450K and from 5700K to 14.500K for projector 49M and 48M		849M03200	16
Mounting bracket, vibration damping for projector 49M and 48M		849M01000	17
Wall outrigger arm, L=0,5m for projector 49S/49M and 48S/48M		849000500	18
Column mounting bracket black, for column diameters 80-120 mm for projector 49S/49M and 48S/48M		849000700	19
Column clamp stainless steel v2a / hot galvanized, for column diameters 115-120 mm		855500 200-120	20
Column clamp stainless steel v2a / hot galvanized, for column diameters 150-170 mm		855500 200-170	20
Column clamp stainless steel v2a / hot galvanized, for column diameters 55-60 mm		855500 200-60	20
Column clamp stainless steel v2a / hot galvanized, for column diameters 60-89 mm		855500 200-89	20

49M5070NWD

**accessory**

**Optional accessories**

description accessory general	dimensions in mm	item number	pic.-No.
Column clamp stainless steel v2a / hot galvanized, for column diameters 85-92 mm		855500 200-92	20
Ground Spike, L=300mm for projector series 49S/M and 48S/M		849000900	21

